



2" Hawlinger
with ZAK 69 outlet

Pipe drilling saddle 2" Hawlinger®

The 2" Hawlinger® pipe drilling saddle (ZAK 69) with integrated shut-off facility allows the easy drilling of pipes under operating pressure. The Hawlinger® is composed of the following components:

- Shut-off mechanism consisting of a shut-off blade of stainless steel
- Connecting element for connection to a strap system for DCI, steel, and AC pipes (**HAKU variant for PE- / PVC pipes (order no. 236-00) in preparation**)

Technical features

- The Hawlinger is opened and closed via one half turn of the spindle
- Reliable shut-off function ensured by a shut-off blade of stainless steel driven via slotted link gear
- Shut-off blade moved horizontally in a housing against fixed metal stops
- Spindle of high-grade stainless steel welded to the drive pulley of the shut-off blade driving mechanism
- Completely straight-through bore when opened
- Easy and quick installation due to flexible strap or half-shell system
- Easy drilling of pipe from above by means of a drilling device, even with the pipe in service
- Pinless fixing of extension spindle by screwing it onto the round thread of the shut-off valve
- subsequent drilling under operating pressure possible
- Long service life due to robust shut-off blade technology and Hawle epoxy powder coating acc. to the Quality Assurance Association for Heavy-Duty Corrosion Protection GSK
- Spindle O-rings fully embedded in corrosion-resistant material
- Back seal to relieve double spindle sealing
- Corrosion-protected body screw connections
- Compatible with existing saddle seals, straps, etc.
- Drilling device for drilling with ZAK 69 available separately (see page 5)
- Ideal for connection to garden hydrants
- In combination with the Hawle ZAK® fittings, a great variety of connection and outlet types can be established (see pages 6-7)

Technical data

Medium:	potable water
Max. operating pressure:	16 bar
Closing:	clockwise, one half turn of the spindle (180°)
Material:	body: GJS-400 corrosion protection: Hawle epoxy powder-coated shut-off blade: stainless steel 1.4310 spindle: stainless steel 1.4310
Outlet type:	ZAK 69
Possible connections:	strap
Max. drilling diameter:	standard drilling diameter Ø 45 mm special drilling diameter Ø 50 mm*

*With a drilling diameter between 46mm and 50mm, the use of the special saddle seal order no. 314-00 is recommended.

Design 2" Hawlinger®

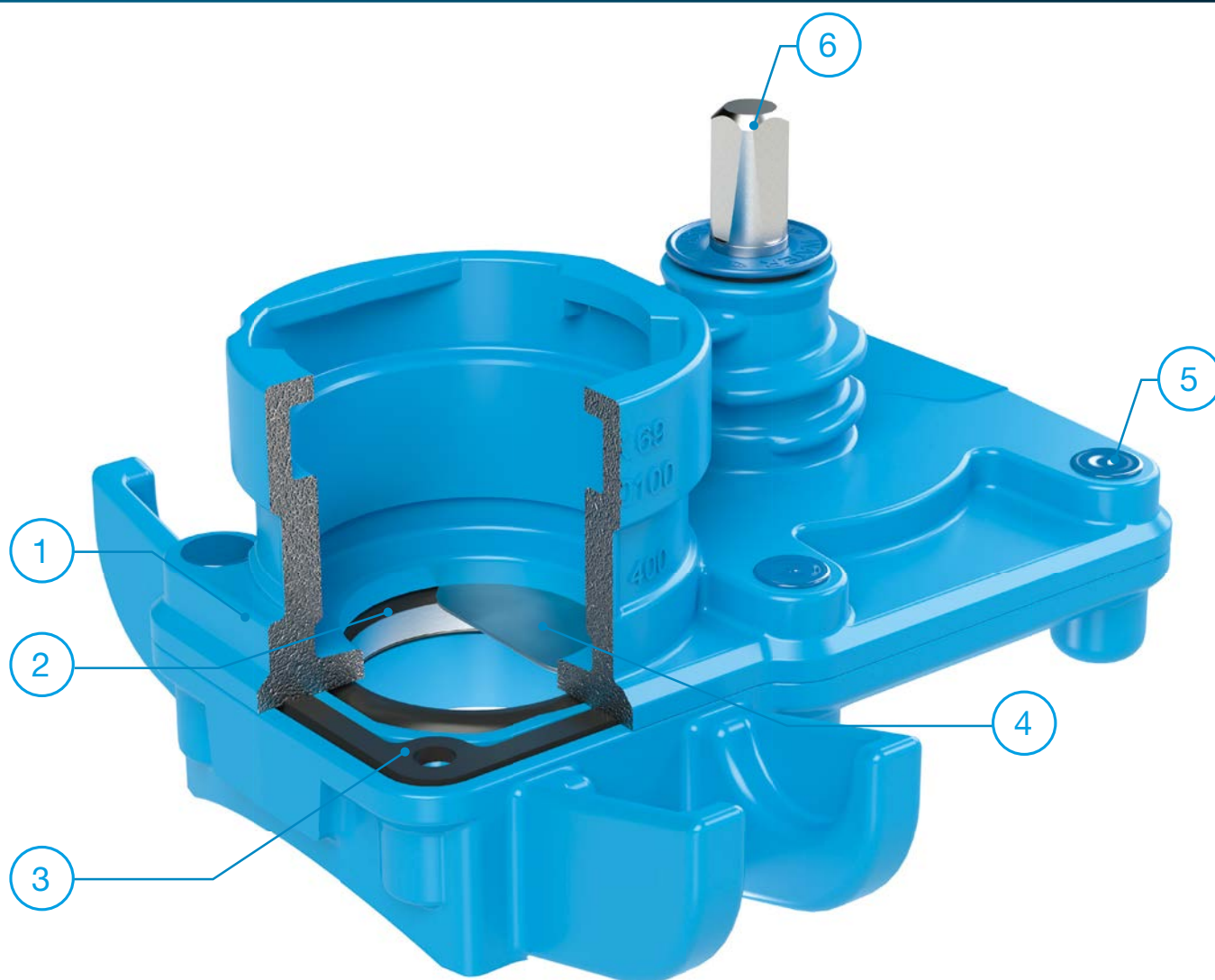


Figure: Universal Hawlinger 2" for DCI, steel, and AC pipes with vertical ZAK 69 socket

No.	Component	Material
1	Body	GJS-400, Hawle epoxy powder-coated
2	O-ring	EPDM with ring insert
3	Chambered flat gasket	EPDM
4	Shut-off blade	stainless steel
5	Countersunk hexagon socket screw closed with sealing compound	Stearin (sealed screws)
6	Spindle with square 12.3 mm and shut-off blade driving mechanism	stainless steel

Universal Hawlinger 2"

The Universal Hawlinger 2" be used for installation on DCI, steel, and AC pipes from DN 100 to DN 500. The Universal Hawlinger is available with a ZAK® 69 socket.

Adaptation to the pipe is effected by means of a holding strap and saddle seal of the respective nominal width.

Functional principle of Hawlinger® with drainage

Automatic drainage for potable water

When used for potable water applications, all pipe drilling saddles type Hawlinger® are available with an additional drainage mechanism (type "E"), which is needed if the blocked pipe section is to be drained after closing the fitting.

This is the case, for example, when there are shut-off valves below air valves, or in holiday homes. In the area of the drain hole, a sufficiently dimensioned seeping water drain packing must be installed.

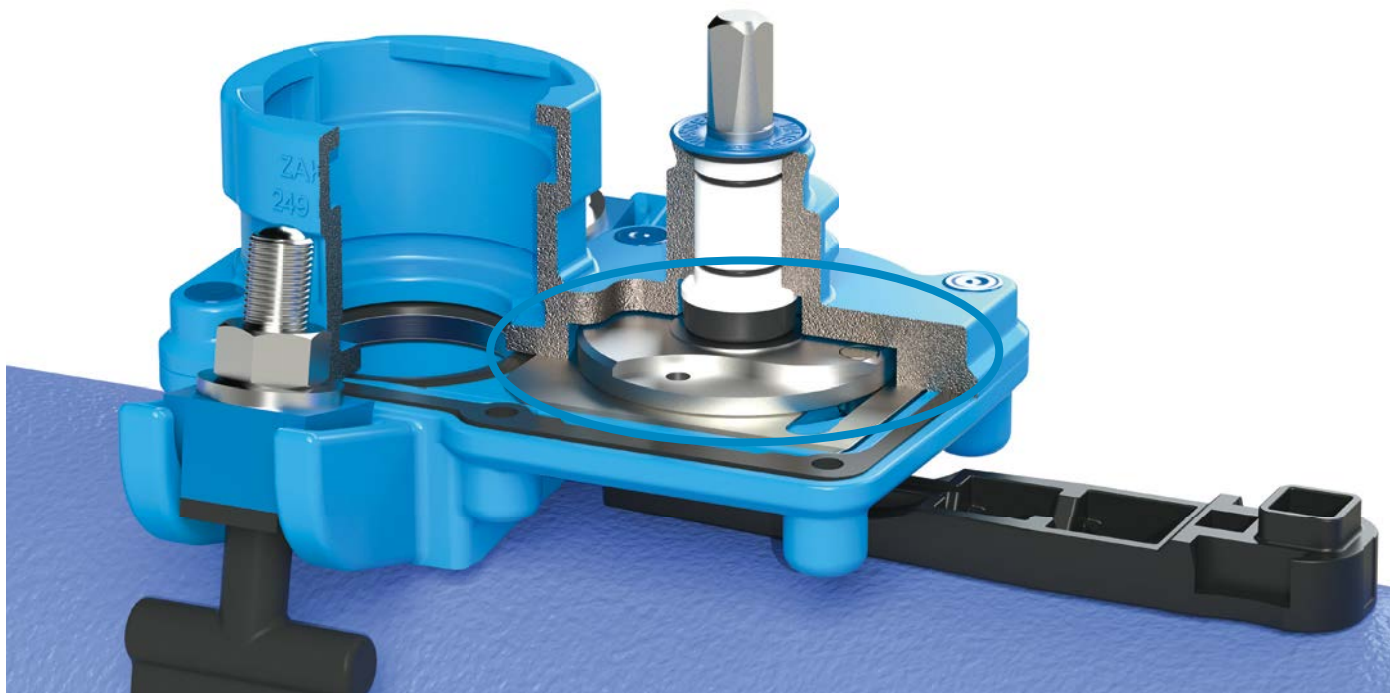


Fig. 2" Hawlinger ZAK 69: opened position with closed drainage mechanism (1) (shut-off blade outside of flow). The completely free passage of the drilling saddle can be used, for example, for tapping or for inserting measuring probes etc.

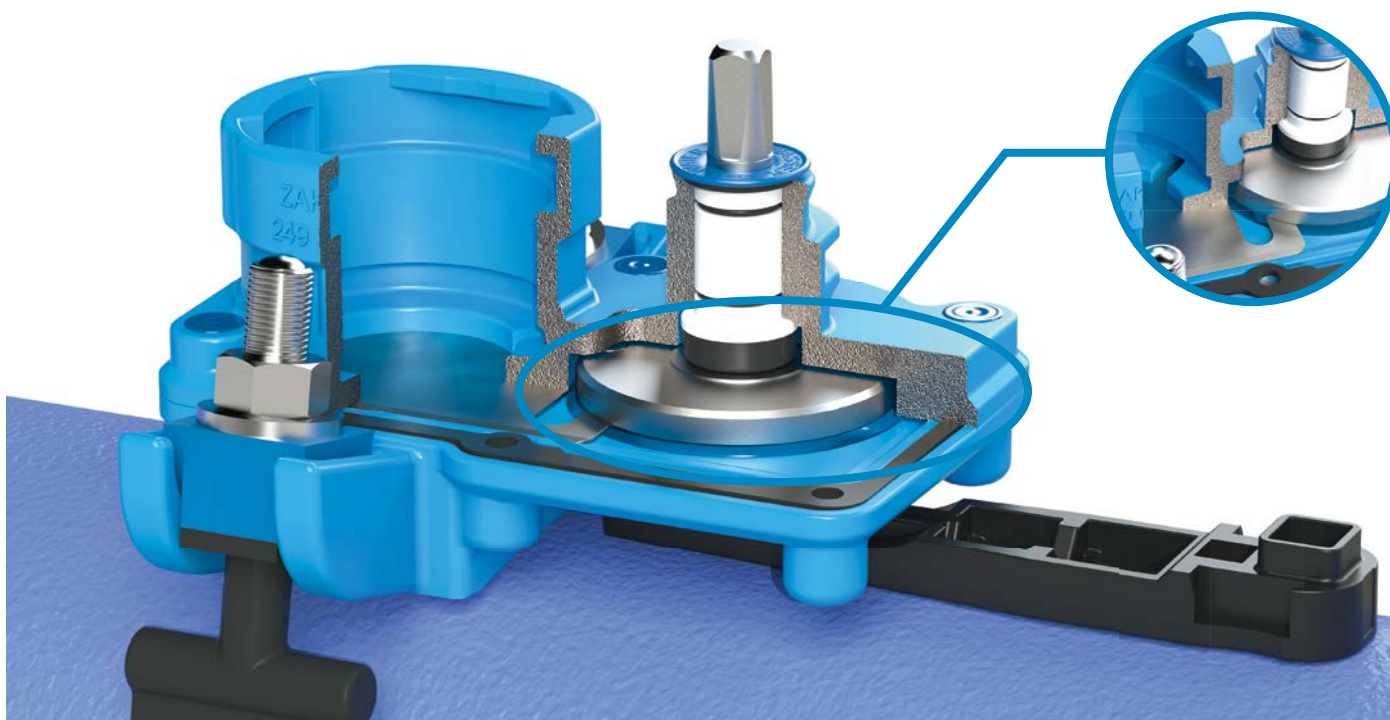
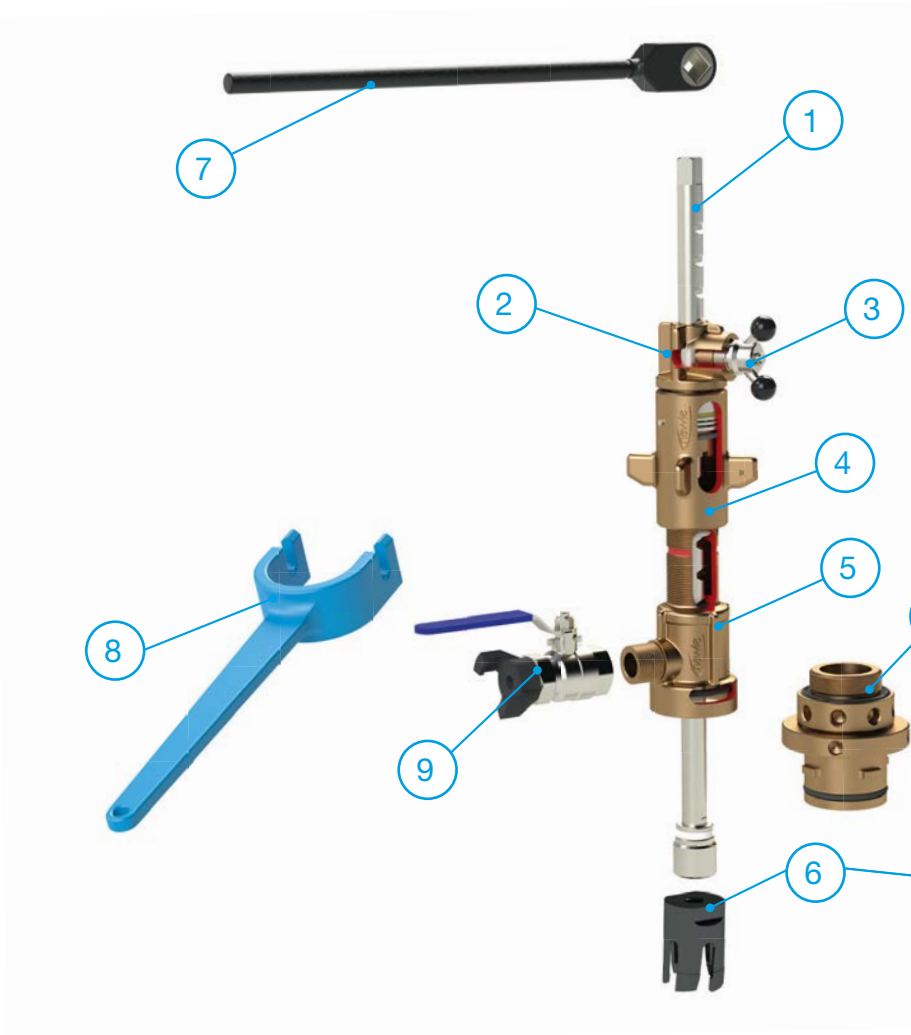


Fig. 2" Hawlinger ZAK 69: closed position with active drainage mechanism (**shut-off blade inside of flow**)

Hawle drilling saddle „Hawlomat“

The Hawle drilling device “Hawlomat” is used for drilling potable water pipelines of DCI, steel, AC, PE, and PVC.

In combination with Hawle pipe drilling saddles, bore-holes of 2” (ZAK 69) can be drilled with the pipe in service.



No.	Component
1	Drill spindle
2	Clamping piece
3	Locking screw complete
4	Feed nut
5	Lower part of body
6	Drill bit or milling cutter*
7	Driving ratchet*
8	Feed forward key*
9	Flushing valve*
10	Drilling adaptor ZAK 69*

* Not included in the scope of supply of the drilling device“ Hawlomat“ 830-00, see accessories 831-00 and 831-01

Max. operating pressure



No.	Designation	Max. operating pressure	Nominal width
830-00	Drilling device “Hawlomat“	16 bar	-
831-00	Accessories for drilling device “Hawlomat“	-	Accessories see www.hawle.de/831-00
831-01	Drilling accessories for drilling device “Hawlomat“	-	Accessories see www.hawle.de/831-01

Supplementary products



616-00
Push-fit fitting with ZAK® spigot end



647-01
Elbow 90° with ZAK® spigot end and push-fit socket



651-01
Tee branch fitting with ZAK® sockets and ZAK® spigot end




835-00
Borehole sealing sleeve for Universal Hawlinger
(For 2" Hawlinger® in preparation)



249-00
ZAK® plug

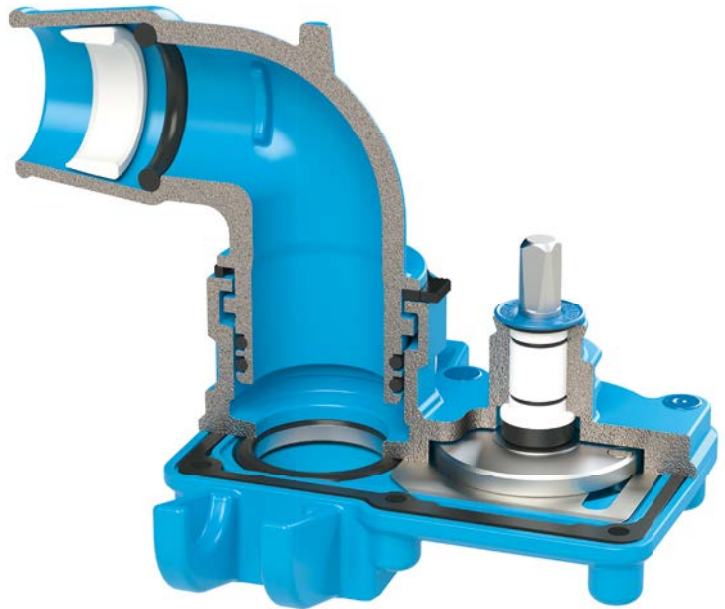
Max. Betriebsdruck

Nr.	Bezeichnung		Nennweite
616-00	Push-fit fitting with ZAK® spigot end	16 bar	ZAK 69: d50, d63, d75 mm
647-01	Elbow 90° with ZAK® spigot end and push-fit socket	16 bar	ZAK 69: d50, d63 mm
651-01	Tee branch fitting with ZAK® sockets and ZAK® spigot end	16 bar	ZAK 69
835-00	Borehole sealing sleeve for Universal Hawlinger (for 2" Hawlinger® in preparation)	16 bar	ZAK 69
249-00	ZAK® plug	16 bar	ZAK 69

Installation example

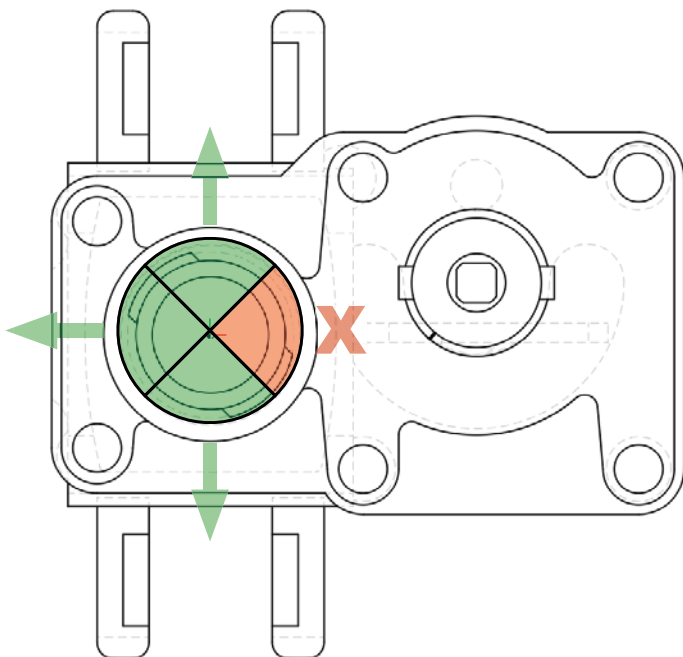
Installation example:

Fitting elbow 90° with ZAK® spigot end and push-fit socket 2" Hawlinger ZAK 69



Alignment position:

Alignment is in the direction of the pipe or 90° to the direction of the pipe.





Hawle Armaturen GmbH
Liegnitzer Straße 6
83395 Freilassing
Deutschland

Tel.: +49 8654 6303-0
Fax: +49 8654 6303-111

info@hawle.de
www.hawle.de