

HaPUR® Knife Gate Valve  
with PUR-Coated Shut-off Blade

## About this Brochure

The general media specifications in the product descriptions may possibly be limited. Please make sure to inform us in your order and/or inquiry about the medium for which the respective application is intended.

If you have any more questions on our products, please don't hesitate to contact our employees from Application Engineering any time.



Products for use in the field of municipal waste water ([www.hawle.de/grenzwerte-abwasser](http://www.hawle.de/grenzwerte-abwasser))



In general, all products sold by us are subject to the statutory warranty period of 2 years from the day of delivery by Hawle. Due to the high Hawle product quality, we are able to offer you an extended warranty period of 5 years for all products manufactured by us. For more details, please refer to the Internet: [www.hawle.de/warranty](http://www.hawle.de/warranty)



For current information, please see our Hawle app. Further information is available at [www.hawle.de/en/downloads/hawle-app/hawle-app/](http://www.hawle.de/en/downloads/hawle-app/hawle-app/)

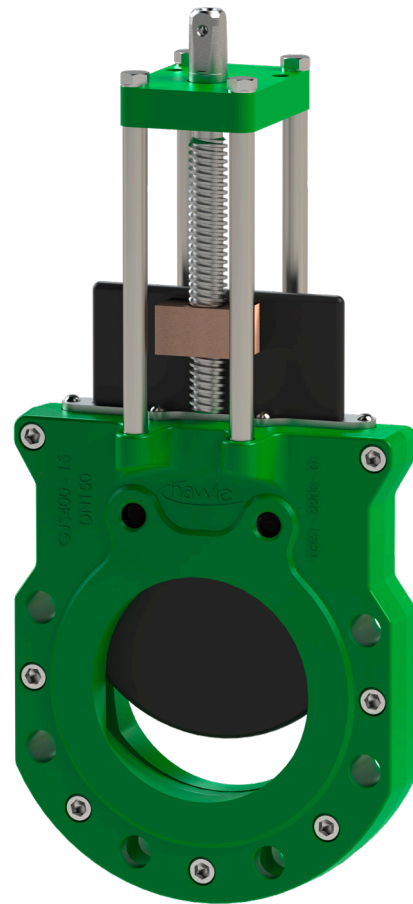
# HaPUR® Knife Gate Valve with PUR-Coated Shut-off Blade

The resilient-seated knife gate valve HaPUR® (Ord. No. 392-00) with straight-through bore has been conceived for municipal sewage disposal and can be used both in plants and in manholes. The particularly smooth-running actuation of the HaPUR® knife gate valve can be effected via handwheel, shut-off key, extension spindle, electric actuator or pneumatic actuator.

The gate valve can be installed both between two flanges and at the end of a pipeline. Due to the hexagonal recesses for nuts, the gate valve can also be used later as an end valve, for example, in case of pipe rehabilitation. The polyurethane-coated shut-off blade of the knife gate valve seals directly at the body. When worn, the sealing package can be exchanged without dismantling the gate valve.

#### Advantages of polyurethane (PUR):

- Corrosion-protected
- UV-resistant
- Break-proof
- Wear-resistant
- Low abrasion
- Permanently elastic
- Low plastic deformation
- Flexible at low temperatures and heat-resistant
- Good adhesion between PUR and metal
- High resilience

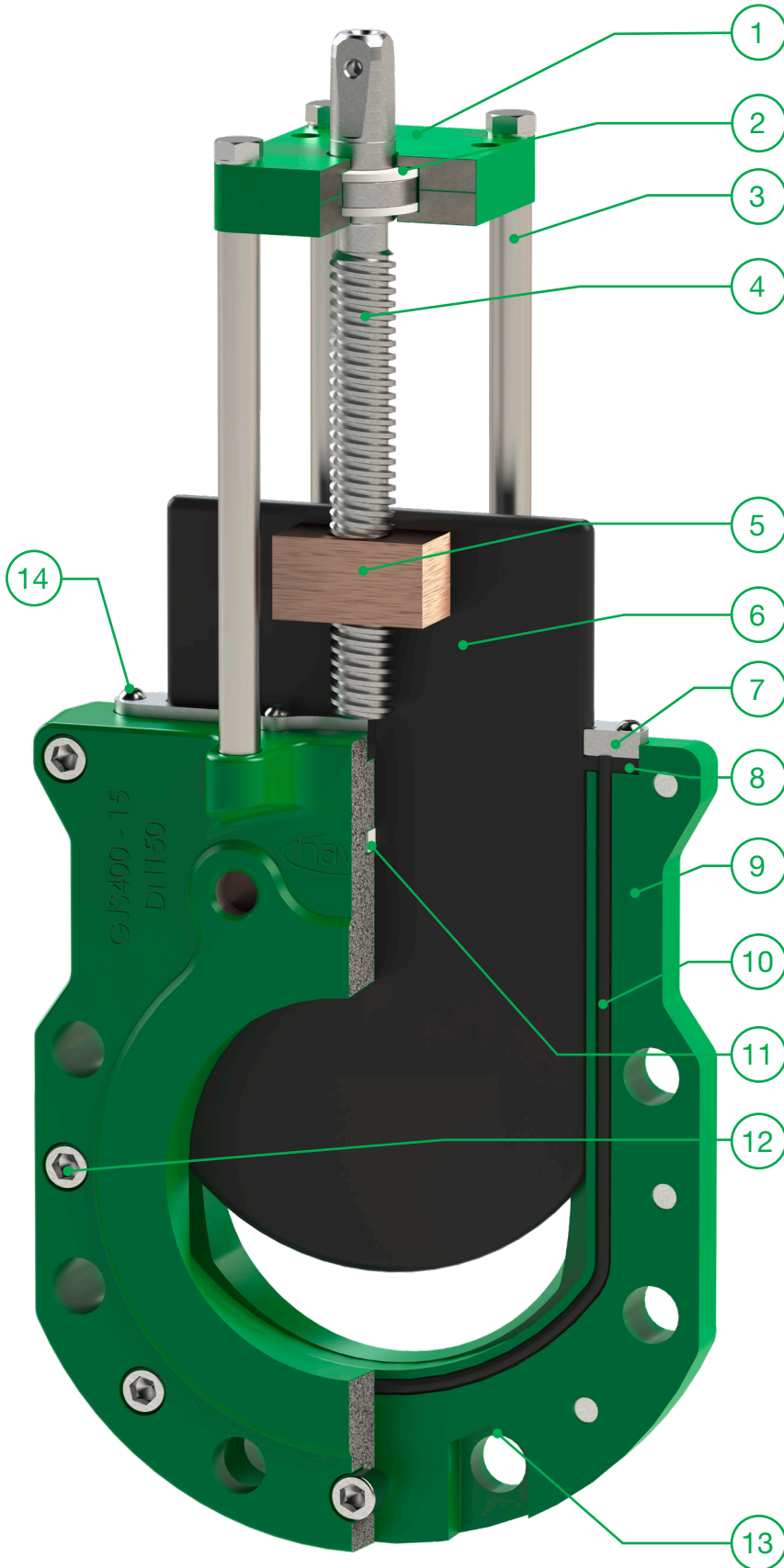


Plattenschieber DN 150 (Best.-Nr. 392-00)

#### Technische Merkmale Plattenschieber

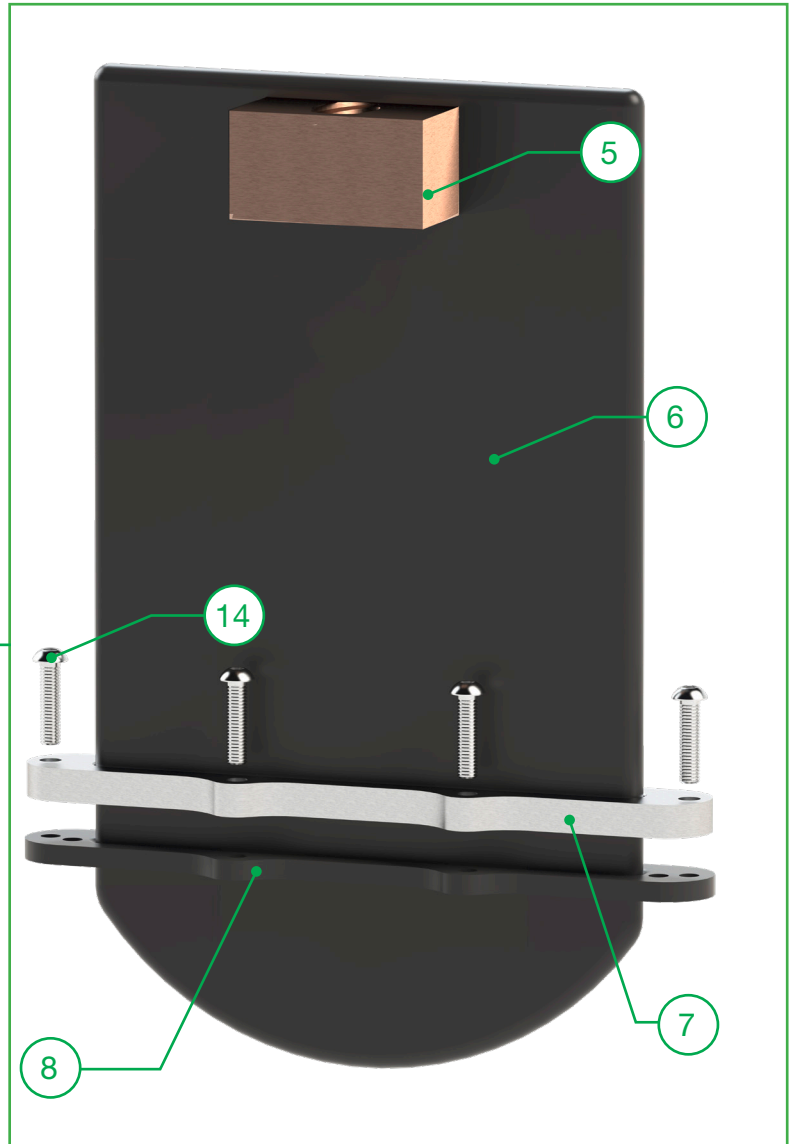
- Smooth-running, therefore long service life
- Flange mating dimensions acc. to EN 1092-2
- Face-to-face dimension: standard series 20 acc. to DIN EN 558-1
- Leak-tested at the factory
- Actuator versions: manual, electric, pneumatic
- Later conversion to electric actuator possible
- Nominal width DN 80, DN 100, DN 150
- Easy exchange of sealing package
- Shut-off blade corrosion-protected, UV-resistant, cut-resistant, wear-resistant, break-proof
- Shut-off blade completely coated with polyurethane
- Operating pressure: 10 bar
- Operating temperature 0 - 40 °C

# Design



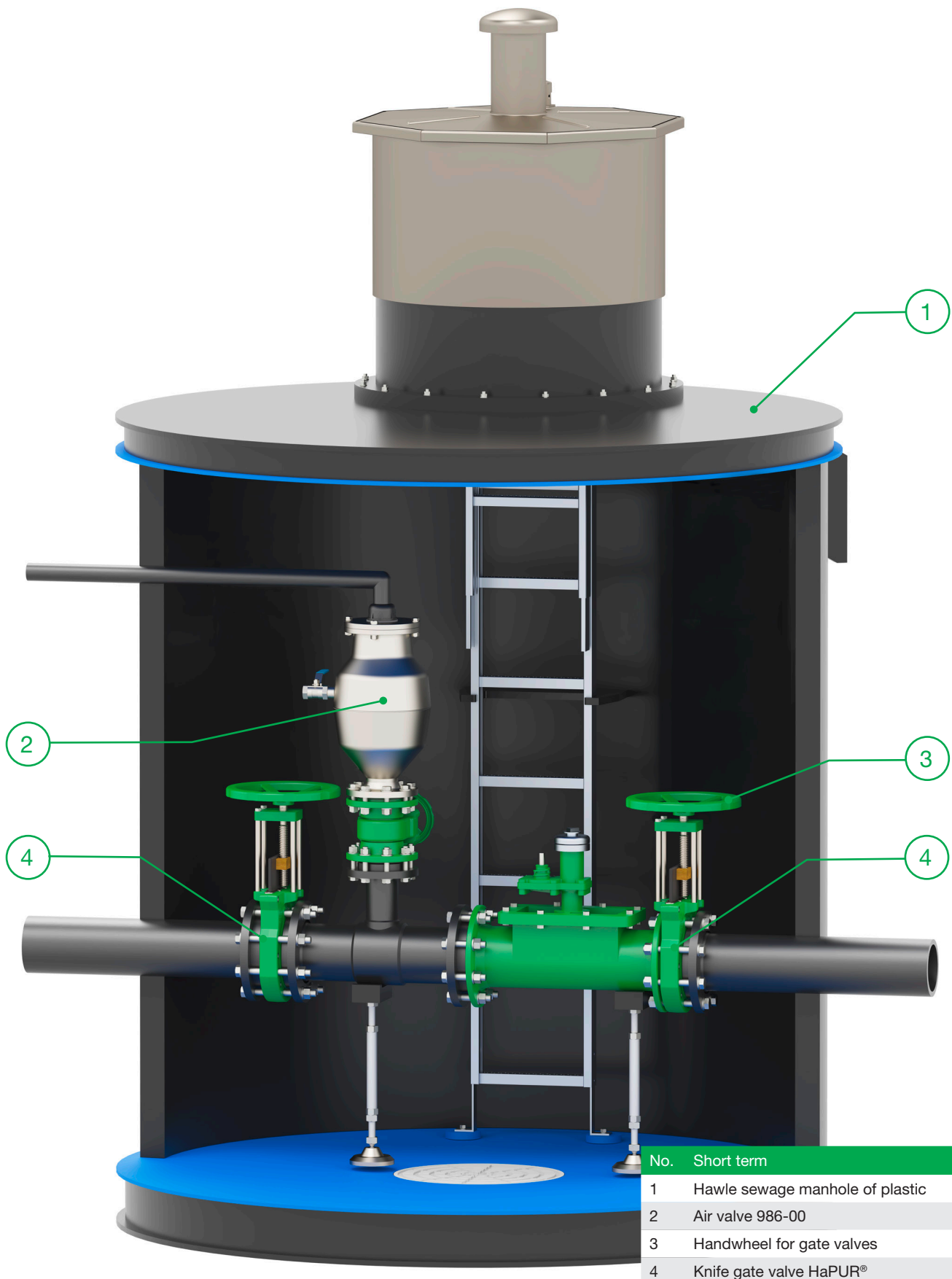
Nr.	Short description	Material
1	Bearing holder	S235JR
2	Sliding disk	POM
3	Tie bar	Stainless steel
4	Spindle	Stainless steel
5	Spindle nut	Red brass
6	Shut-off blade	S 235 PUR-coated
7	Double-ring gasket	Stainless steel
8	Body flat gasket	NBR
9	Body	GJS 400-15, hawle epoxy powder coated
10	Sealing cord	NBR
11	Scraper	POM
12	Bolt	Stainless steel
13	Hexagonal recess	
14	Adjusting screw	Stainless steel

# Sealing Package



Nr.	Short description	Material
14	Adjusting screw	Stainless steel
8	Body flat gasket	NBR
7	Packing ring gasket	Stainless steel
6	Shut-off blade	S235 PUR-coated
5	Spindle nut	Red brass

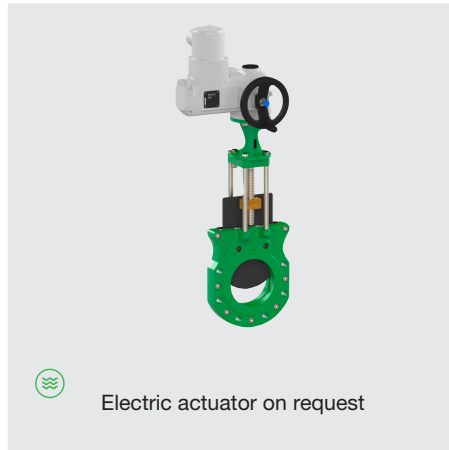
# Installation Example



No.	Short term
1	Hawle sewage manhole of plastic
2	Air valve 986-00
3	Handwheel for gate valves
4	Knife gate valve HaPUR®

\*For illustration

# Supplementary Products



## Maximaler Betriebsdruck

Nr:	Bezeichnung		Eigenschaften
780-00	Handwheel for gate valves	-	Material: DN 50 - DN 200: cast iron

The HaPUR® knife gate valve can be retrofitted with an electric actuator. Article numbers on request.

Hawle Deutschland Armaturen GmbH  
Liegnitzer Straße 6  
83395 Freilassing  
Deutschland

Tel.: +49 8654 6303-0

info@hawle.de  
www.hawle.de



Member of HAIDRO Group

© For further information about our brands don't hesitate to contact [info@hawle.de](mailto:info@hawle.de) or our homepage [www.hawle.de](http://www.hawle.de)  
We solely supply products in accordance with our General Terms and conditions you can find on our homepage as download.  
All pictures and diagrams, technical data, measures and weights are non-binding. Subject to change without notice. EN 04/2026