

HaPUR[®] Knife Gate Valve
with PUR-Coated Shut-off Blade

About this Brochure

The general media specifications in the product descriptions may possibly be limited. Please make sure to inform us in your order and/or inquiry about the medium for which the respective application is intended.

If you have any more questions on our products, please don't hesitate to contact our employees from Application Engineering any time.



Products for use in the field of municipal waste water (acc. to EN 1085:2007)



In general, all products sold by us are subject to the statutory warranty period of 2 years from the day of delivery by Hawle. Due to the high Hawle product quality, we are able to offer you an extended warranty period of 5 years for all products manufactured by us. For more details, please refer to the Internet: www.hawle.de/warranty

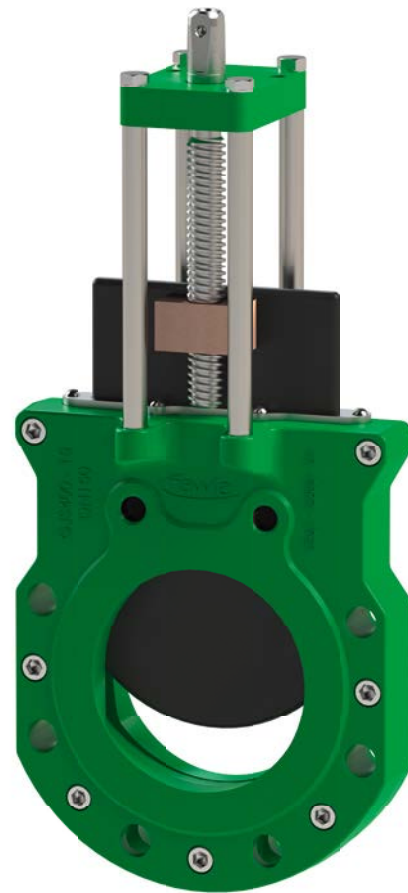
Knife Gate Valve with PUR-Coating

The resilient-seated knife gate valve HaPUR® (Ord. No. 392-00) with straight-through bore has been conceived for municipal sewage disposal and can be used both in plants and in manholes. The particularly smooth-running actuation of the HaPUR® knife gate valve can be effected via handwheel, shut-off key, extension spindle, electric actuator or pneumatic actuator.

The gate valve can be installed both between two flanges and at the end of a pipeline. Due to the hexagonal recesses for nuts, the gate valve can also be used later as an end valve, for example, in case of pipe rehabilitation. The polyurethane-coated shut-off blade seals directly at the body. When worn, the sealing package can be exchanged without dismantling the gate valve.

Advantages of polyurethane (PUR):

- Wear-resistant
- Low abrasion
- Permanently elastic
- Cut-resistant and break-proof
- UV-resistant
- Low plastic deformation
- Flexible at low temperatures and heat-resistant
- Good adhesion between PUR and metal
- Corrosion-protected
- High resilience

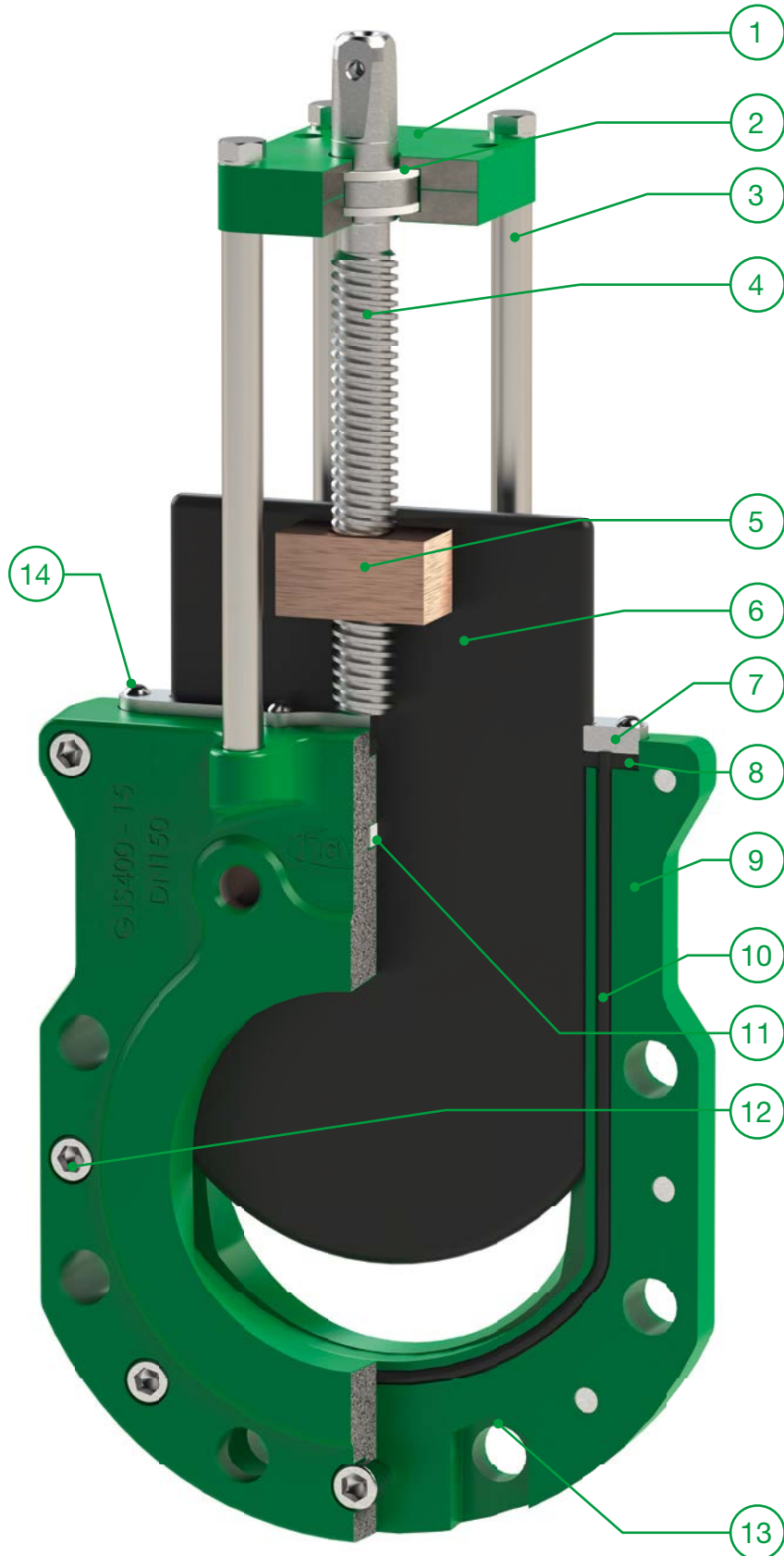


Knife gate valve DN 150 (Ord. No. 392-00)

Technical features of knife gate valve of GJS 400-15

- High resistance to chemicals
- Smooth-running, therefore long service life
- Flange mating dimensions acc. to EN 1092-2
- Face-to-face dimension: standard series 20 acc. to DIN EN 558-1
- Leak-tested at the factory
- Actuator versions: manual, electric, pneumatic
- Later conversion to electric actuator possible
- Nominal width DN 80, DN 100, DN 150
- Easy exchange of sealing package
- Shut-off blade UV-resistant, cut-resistant, wear-resistant
- Shut-off blade completely coated with polyurethane

Design: Knife Gate Valve



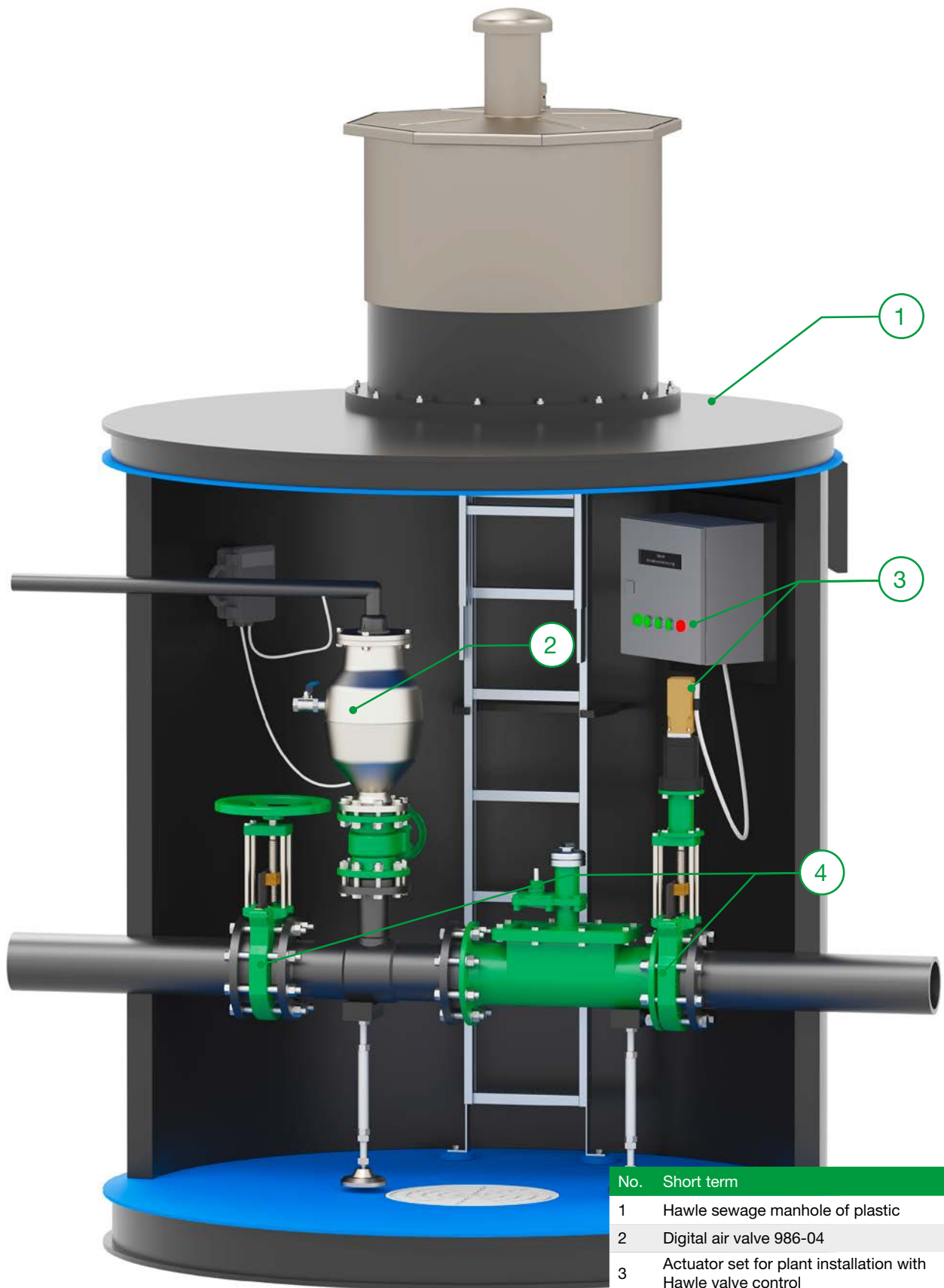
Nr.	Short description	Material
1	Bearing holder	S235JR
2	Sliding disk	POM
3	Tie bar	Stainless steel
4	Spindle	Stainless steel
5	Spindle nut	Red brass
6	Shut-off blade	S 235 PUR-coated
7	Double-ring gasket	Stainless steel
8	Body flat gasket	NBR
9	Body	GJS 400-15, hawle epoxy powder coated
10	Sealing cord	NBR
11	Scraper	POM
12	Bolt	Stainless steel
13	Hexagonal recess	
14	Adjusting screw	

Sealing Package



Nr.	Short description	Material
14	Adjusting screw	Stainless steel
8	Body flat gasket	NBR
7	Packing ring gasket	Stainless steel
6	Shut-off blade	S235 PUR-coated
5	Spindle nut	Red brass

Installation Example



No.	Short term
1	Hawle sewage manhole of plastic
2	Digital air valve 986-04
3	Actuator set for plant installation with Hawle valve control
4	Knife gate valve HaPUR®

*For illustration

Supplementary Products



780-00
Handwheel for gate valves




864-00
Actuator set version for
plant installation with
Hawle gate valve control



Electric actuator on request

Maximum operating pressure

No:	Designation		Properties
780-00	Handwheel for gate valves	-	Material: DN 50 - DN 200: cast iron
864-00	Actuator set with control	-	Control 24V Control 230V

The HaPUR® knife gate valve can be retrofitted with an electric actuator. Article numbers on request.



Hawle Armaturen GmbH
Liegnitzer Straße 6
83395 Freilassing
Germany

Phone: +49 8654 6303-0
Fax: +49 8654 6303-111

info@hawle.de
www.hawle.de