

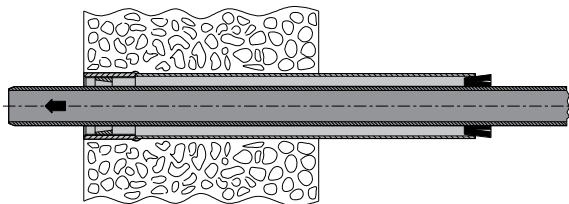
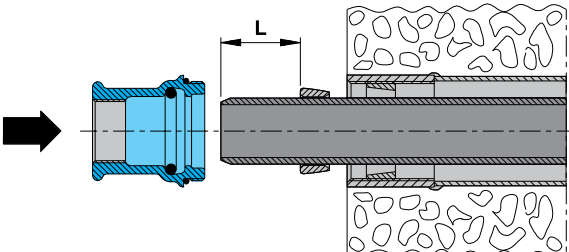
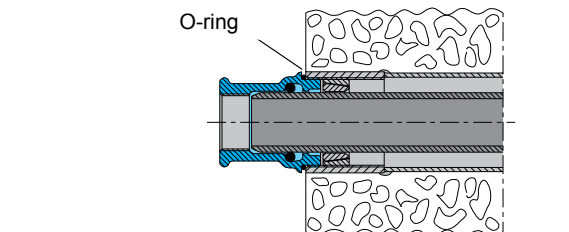
1. Intended use

This pipe entry fitting for PE pipes is a wall bushing system with conduit for leading water service pipes into a building.

2. Product description

This pipe entry fitting consists of a steel conduit into which the medium pipe is inserted. The scope of supply includes a fitting (straight or angled) and a tapered sleeve gasket.

3. Installation

<p>Cellar inside</p> 	<p>Fix the conduit in the wall. Push on the tapered sleeve gasket, order number 703M. Insert the medium pipe, then cut it at a right angle and chamfer it.</p>										
	<p>Push on the grip ring observing the push-in length L of the pipe end.</p> <table border="1" data-bbox="1161 954 1497 1137"> <thead> <tr> <th>Pipe-\varnothing</th> <th>Push-in length L</th> </tr> </thead> <tbody> <tr> <td>32</td> <td>55 mm</td> </tr> <tr> <td>40</td> <td>60 mm</td> </tr> <tr> <td>50</td> <td>62 mm</td> </tr> <tr> <td>63</td> <td>65 mm</td> </tr> </tbody> </table>	Pipe- \varnothing	Push-in length L	32	55 mm	40	60 mm	50	62 mm	63	65 mm
Pipe- \varnothing	Push-in length L										
32	55 mm										
40	60 mm										
50	62 mm										
63	65 mm										
	<p>Install the fitting without sealant (no sealing with hemp required due to O-ring between fitting and steel pipe).</p> <p>IMPORTANT: Check fit of tapered sleeve gasket!</p>										

If you have any other questions or if you need more information please contact:

Hawle Armaturen GmbH
 - Application Engineering -
 Liegnitzer Str. 6
 83395 Freilassing
 Phone: +49 (0)8654 6303-0
 Telefax: +49 (0)8654 6303-222
 E-Mail: info@hawle.de
 Web: www.hawle.de