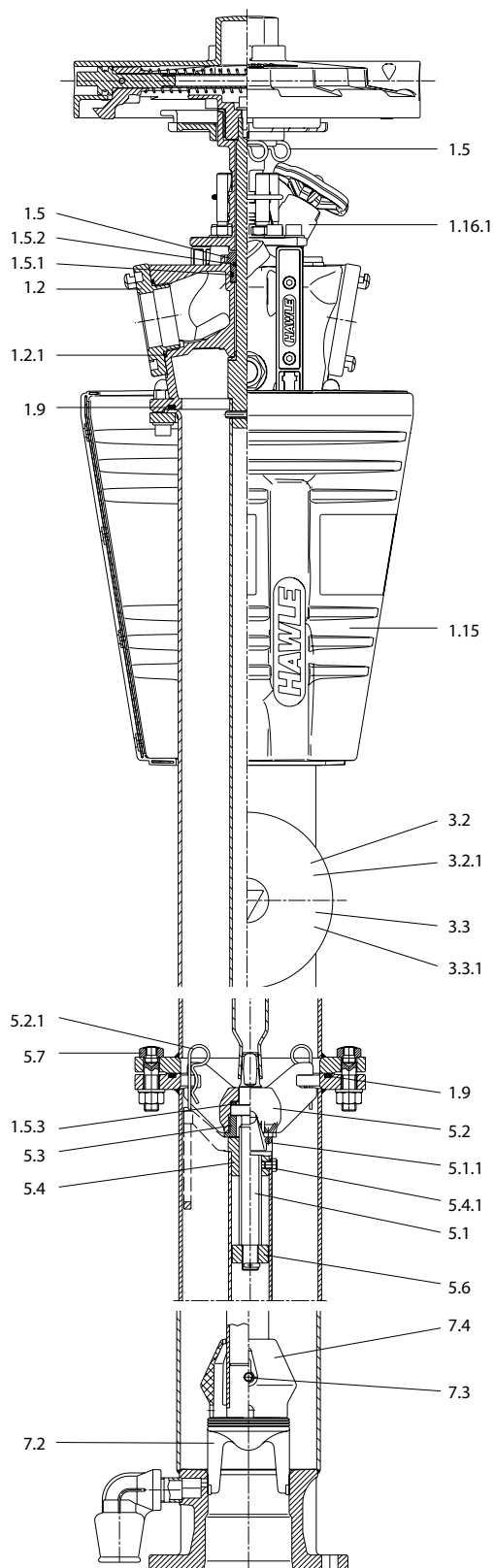


Above ground hydrant of stainless steel with drop, break-away type

Part list

517-00



Item	Description
1.2	B stationary coupling
1.2.1	O-ring for B coupling
1.4	Vent valve
1.5	O-ring support
1.5.1	O-ring
1.5.2	O-ring
1.5.3	Sliding disc
1.9	O-ring
1.11	Retaining pin complete
1.15	Drop jacket complete
1.16.1	Valve complete
3.2	A stationary coupling
3.2.1	O-ring for A coupling
3.3	Cap for A coupling
3.3.1	Gasket for A cap
5.1	Spindle
5.1.1	Splint
5.2	Spindle support
5.2.1	Spring cotter
5.3	Locking screw
5.4	Spindle nut
5.4.1	Hexagon head bolt
5.6	Stop nut
5.7	Hexagon head bolt with predetermined breaking point
7.2	Poppet
7.3	Retaining pin
7.4	Flow encoder

Required information for spare parts orders see nameplate!