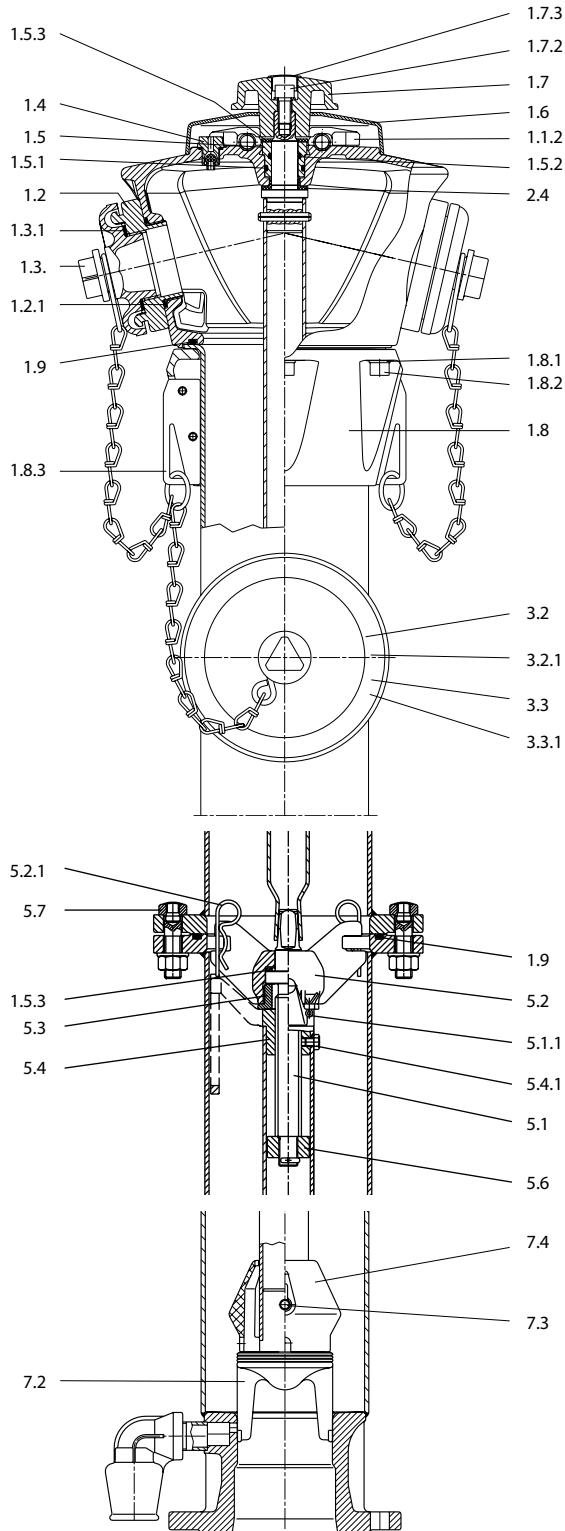


Above-ground hydrant Part list

514-00, 515-00, 519-00



Item	Description
1.1.2	Screw holder
1.2	B stationary coupling
1.2	C stationary coupling
1.2.1	O-ring for B coupling
1.2.1	O-ring for C coupling
1.3	Cap for B coupling
1.3	Cap for C coupling
1.3.1	Gasket for B cap
1.3.1	Gasket for C cap
1.4	Vent valve
1.5	O-ring support
1.5.1	O-ring
1.5.2	O-ring
1.5.3	Sliding disc
1.6	Hood
1.7	Control cap
1.7.2	Hexagon socket screw
1.7.3	Gasket plug
1.8	Clamping ring
1.8.1	Washer
1.8.2	Hexagon socket screw
1.8.3	Grounding clip
1.9	O-ring
2.4	Collar sliding disc
3.2	A stationary coupling
3.2	B stationary coupling
3.2.1	O-ring for A coupling
3.2.1	O-ring for B coupling
3.3	Cap for A coupling
3.3	Cap for B coupling
3.3.1	Gasket for A cap
3.3.1	Gasket for B cap
5.1	Spindle
5.1.1	Splint
5.2	Spindle support
5.2.1	Spring cotter
5.3	Locking screw
5.4	Spindle nut
5.4.1	Hexagon head bolt
5.6	Stop nut
5.7	Hexagon head bolt with predetermined breaking point
7.2	Poppet
7.3	Retaining pin
7.4	Flow encoder