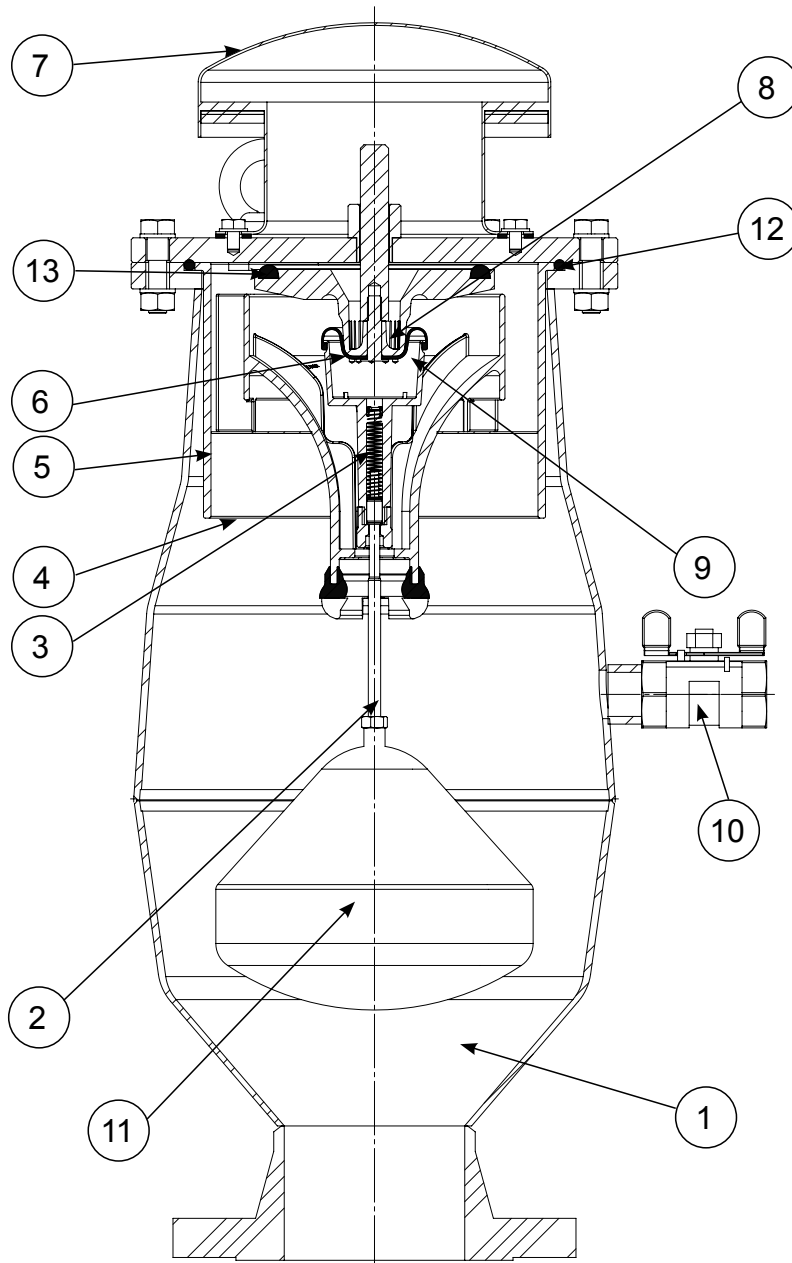


Air release valve for sewage water and drinking water

Part list

988-00



Item	Menge	Description	Material
1	1	Body	Stainless steel
2	1	Float spindle	Stainless steel
3	1	pressure spring	Stainless steel
4	1	strainer	Stainless steel
5	1	deflector	PP
6	1	Diaphragm cup	Elastomer
7	1	hood	Stainless steel

8	1	valve body	POM
9	1	Diaphragm cup	POM
10	1	ball valve	Stainless steel
11	1	Float	Stainless steel
12	2	O-ring 204 x 6 for cap	Elastomer
13	2	Gasket	Elastomer