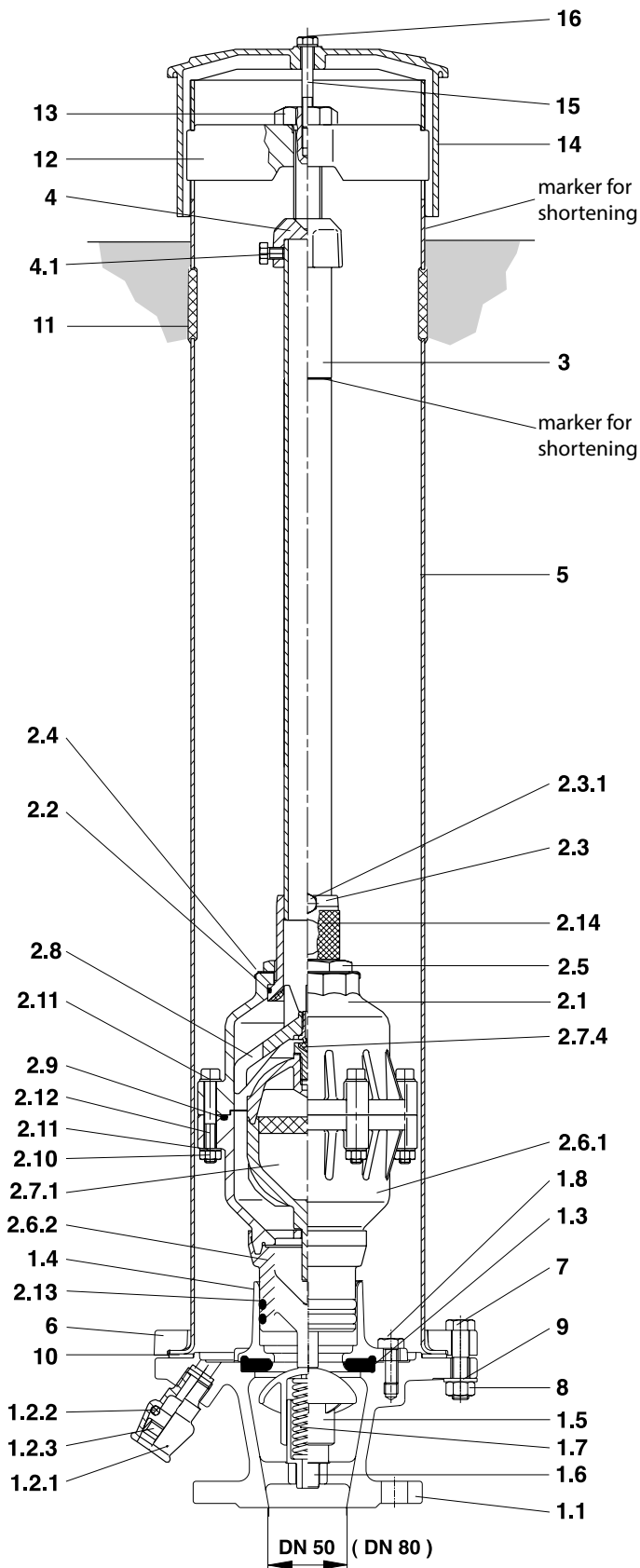


Air valve set 2"

Part list

992-02



| Nr. | Description | Material |
|-------|------------------------------------|-----------------|
| 1.1 | Base | GJS-400 |
| 1.2.1 | Fitting | GJS-400 |
| 1.2.2 | O-ring | EPDM |
| 1.2.3 | Grip ring | POM |
| 1.3 | Gasket | EPDM |
| 1.4 | gasket flange | Rg 7 |
| 1.5 | gasket tappet | POM |
| 1.6 | Spring retainer | POM |
| 1.7 | pressure spring | stainless steel |
| 1.8 | hexagon hold bolt M 10 x 35 | stainless steel |
| 2.1 | Body - bonnet | POM |
| 2.2 | O-Ring | EPDM |
| 2.3 | gasket seat | Messing / EPDM |
| 2.3.1 | Hexagon head bolt M 8 x 12 | stainless steel |
| 2.4 | Locking plate | stainless steel |
| 2.5 | Lock nut | Messing |
| 2.6.1 | Bottom part of body | POM |
| 2.6.2 | Ventilation support | POM |
| 2.7.1 | Schwimmerkugel komplett PN 6/16 | POM / EPDM |
| 2.7.4 | sealing screw | stainless steel |
| 2.8 | sealing cap complete | POM / EPDM |
| 2.9 | O-ring 116 x 4 | EPDM |
| 2.10 | hexagon nut | stainless steel |
| 2.11 | disc | stainless steel |
| 2.12 | hexagon socket screw | stainless steel |
| 2.13 | O-ring 60 x 6 | EPDM |
| 2.14 | insect screens | stainless steel |
| 3 | operating bar | stainless steel |
| 4 | cap | GJS-400 |
| 4.1 | hexagon screw M 8 x 12 | stainless steel |
| 5 | standpipe | stainless steel |
| 6 | clamping ring | GJS-400 |
| 7 | hexagon screw M 12 x 50 | stainless steel |
| 8 | hexagon nut M 12 | stainless steel |
| 9 | disc | stainless steel |
| 10 | gasket | EPDM |
| 11 | cover | EPDM |
| 12 | yoke /spindel holder | GJS-400 |
| 13 | operating screw | stainless steel |
| 14 | cap | PE |
| 15 | hexagon screw M 8 x 60 | stainless steel |
| 16 | disc | stainless steel |