

# General Information

## Other Fittings and Special Valves

### Product Categories

#### 8.1 Other Fittings

8.1.1 Pipe Entry Connections	8-4
8.1.2 Hatchbox (Cleaning Box)	8-7
8.1.2 Check Valves	8-7

## 8.1.1 Pipe Entry Connections

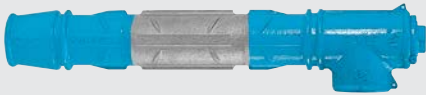


# General Information - Other Fittings and Special Valves

## 8.1.1 Pipe Entry Connections

Hawle offers pipe entry fittings of various designs, materials, and dimensions. Which entry fitting is most suitable for your application will depend on the mounting situation (with or without cement grouting), on the one hand, and on the type of entry fitting (medium-bearing or in conduits), on the other hand.

### Medium-bearing variants



Pipe entry fitting  
Ord. No. 687-00  
(with cement grouting)



Pipe entry fitting  
Ord. No. 697-00  
(with cement grouting)



Pipe entry fitting  
Ord. No. 685-00  
(without cement grouting)

### With conduit



Quick installation pipe entry fitting  
Ord. No. 683-00  
(without cement grouting)



Pipe entry fitting with plastic conduit  
Ord. No. 680-04  
(without cement grouting)



Pipe entry fitting with steel conduit  
Ord. No. 703-00, 704-00, 681-00  
(with cement grouting)

### Medium-bearing pipe entry fitting with cement grouting, Ord. No. 687-00, 697-00

Medium-bearing pipe entry fittings are generally used in concrete walls. Before backfilling the fresh concrete the pipe entry fitting is inserted in the formwork of the outer building wall. Subsequently, the formwork is backfilled with fresh concrete. On setting and hardening of the fresh concrete a restraint and form-locked connection is established between the wall and the wall inlet fitting via the integrally cast fins.

### Technical features

- Medium-bearing
- No sealing problems between the wall / cast iron body
- Transition between pipe entry fitting and medium pipe outside the building
- Building outside, standard connection via push-fit fitting for PE pipes (PVC on request)

### Technical data

Body:	GJS-400/GJL-250
Corrosion protection:	Hawle epoxy powder coating
Medium:	potable water
Outlets - inside:	female thread 1", 1 1/4", 1 1/2", 2", flange DN 40
Outlets - outside:	push-fit fitting d 32, d 40, d 50, d 63

# General Information - Other Fittings and Special Valves

## 8.1.1 Pipe Entry Connections

Pipe entry fitting with cement grouting, with conduit and push-fit fitting, Order No. 703-00/704-00

These pipe entry fittings consist of a steel conduit into which the medium pipe is inserted. The connecting fitting and the tapered sleeve gasket are included in the scope of delivery.

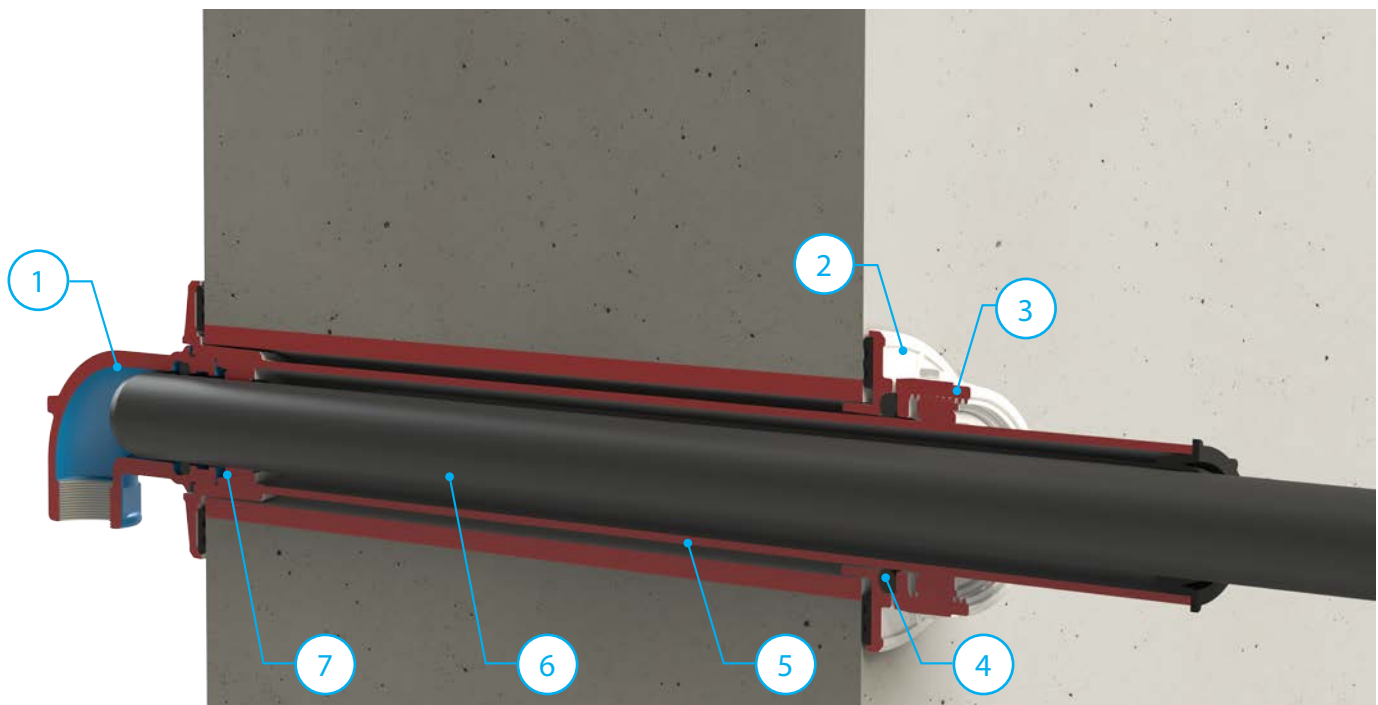
### Technical features

- Variable adaptation to the respective wall thickness
- Almost any length possible
- Medium pipe exchangeable

### Technical data

Ord. No.:	703-00 (with straight push-fit fitting), 704-00 (with angled push-fit fitting)
Conduit:	steel
Push-fit fitting:	GJS-400
Corrosion protection:	Hawle epoxy powder coating
Medium:	potable water

### Installation situation - pipe entry fitting without cement grouting



1. Fitting
2. Pressure flange
3. Clamping elements

5. Conduit
4. Gasket
6. Medium pipe

7. Grip ring

8.1.2 Hatchbox (Cleaning Box)

8.1.3 Check Valves



# Allgemeine Hinweise - Sonstige und Sonderarmaturen

## 8.1.2 Rückflussverhinderer, 8.1.3 Reinigungs- und Kontrollkasten

### Hatchbox

The hatchbox serves the purpose of maintenance and cleaning of sewage pressure pipes. The free opening area of the Hawle flushing valve allows an easy flushing of pressure lines, culverts or transmission lines in the field of sewage water.



### Check valves

Check valves allow flow in only one direction. They close automatically when the direction of flow is reversed, and they open automatically in case of the permitted flow direction.

### Check valves



Flap valve  
Ord. No. 983-01

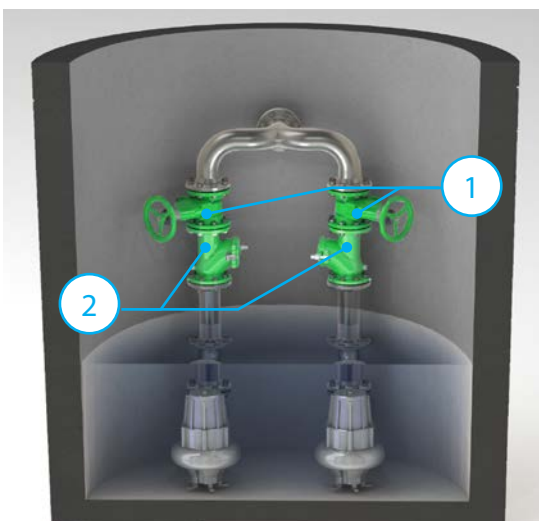


Flap check valve of PE-HD  
Ord. No. 983-01

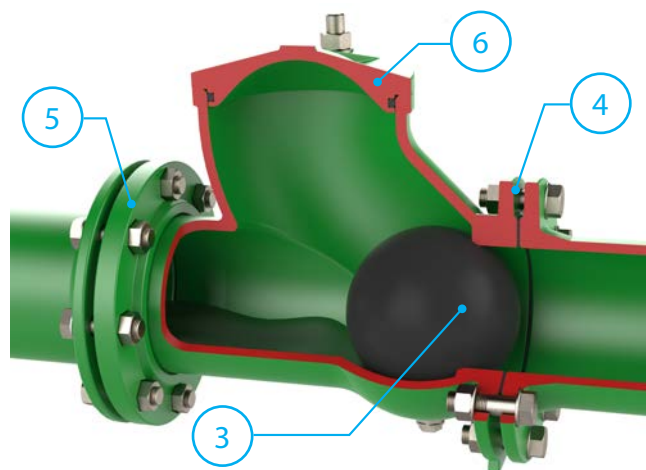


Ball check valve  
Ord. No. 984-03

### Installation situation - ball check valve in a chamber



- 1. Sewage water gate valve
- 2. Ball check valve



- 3. Ball
- 4. Fixed flange
- 5. Loose flange
- 6. Hinged cover