



- FULL VERSION -



Table of contents

1.	Intended use / product description	Page 2
2.	Installation	Page 4
2.1	General	Page 4
2.2	Seeping water drain packing	Page 5
2.3	Drainage element	Page 5
2.4	Seepage hose	Page 5
2.5	Drainage hose	Page 5
2.6	Shortening	Page 6
3.	Commissioning and pressure testing	Page 7
3.1	Commissioning	Page 7
3.2	Pressure testing	Page 8
3.2.1	Pressure testing of pipeline	Page 8
3.2.2	Pressure testing of installed air valve	Page 8
4.	Servicing and maintenance	Page 8
4.1	Spare parts	Page 11
5.	Special functions	Page 12
5.1	Special function - installation in flood water areas / flood protection	Page 12
5.2	Special function - installation in groundwater	Page 13
5.3	Special function - air intake only or air release only	Page 14
5.4	Special function - anti-frost disc Art. No. 992 200 1050	Page 14
5.5	Special function - special insect and snail protection Art. No. 992 200 1010	Page 15
5.6	Special function - screw lock Art. No. 992 200 1100	Page 15
	Parts list Havent® air valve set	Page 16
	Parts list Havent® air valve	Page 17

1. Intended use / product description

Medium: potable water

Working range: 0,2 - 25 bar

Material: see parts list

Possible connections: flange DN50, DN80

Pipe cover depths: 1,0 m, 1,25 m, 1,5 m, 1,75 m (can be shortened on site by 100mm, see item 2.3)

The air valve set (AVS) consists of a shaft with a shut-off facility and an air valve (AV).

Due to its compact design, the AVS replaces costly and high-maintenance manhole constructions.

All maintenance and repair work can be carried out from the road surface, thus avoiding the dangers possibly related with the access of manholes.

The HaVent® air valve featuring the patented valve mechanism is perfectly suitable for taking in and releasing high amounts of air during filling or draining of pipelines and for releasing major amounts of air under operating pressure. Due to the high air intake capacity, the AV is additionally provided with effective vacuum protection.

Max. air release capacity: 770 m³/h (on filling the pipeline)

Max. release cross section: 1,500 mm²

Max. cross section for in-service venting: 3.15 mm²

During installation and maintenance operations, the applicable standards and guidelines, accident prevention regulations and the regulations of professional associations are to be observed and complied with.

Installation and maintenance operations may be performed by qualified personnel only.

Product identification AV inside:



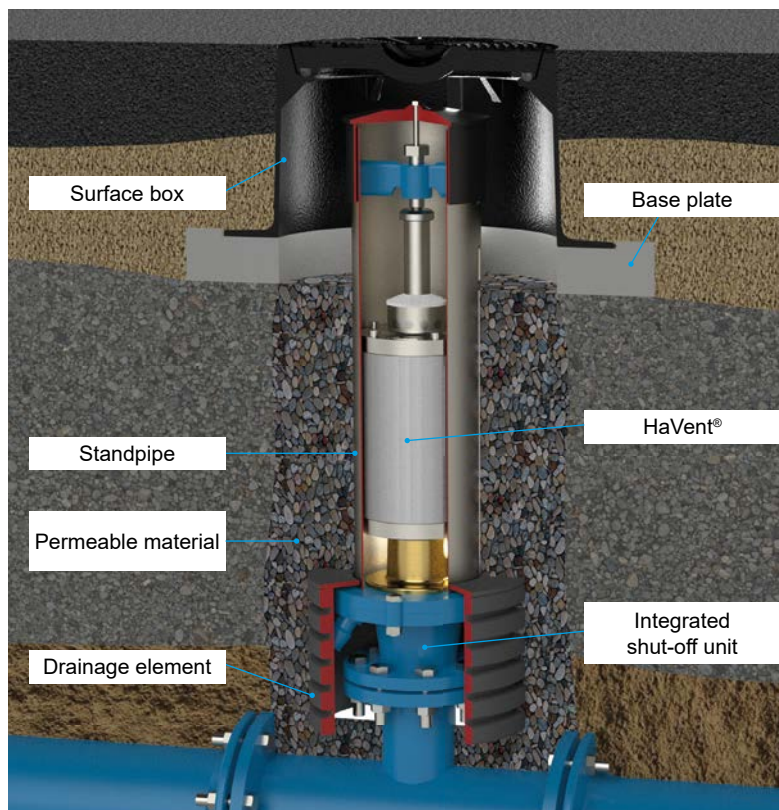
Product identification AVS outside:



Product Complements:

		
<p>211-00 Surface box with cover, round</p>	<p>211-04 Surface box for rolling in, with locking bolt</p>	<p>204-04 Base plate of concrete for surface box 211-00 and 211-04</p>
		
<p>986-02 Indicator plate</p>	<p>992-03 Drainage element for air valve set for potable water</p>	<p>992-04 Seepage hose for Hawle air valve set for potable water</p>
		
<p>992-05 992-06 Flushing and water tapping set for air valve set 992 992-07 Extended clamping yoke</p>	<p>992-03 Cleaning brush AVS Art. No. 992 200 1200 with extension rod (Art. No. 992 200 1215)</p>	

2. Assembly:



2x open-ended wrench A/F 24 (version with flange), socket wrench A/F 13

2.1 General

Air valves and air valve sets are installed at high points, at points of change in pipe inclination, in descending line sections, in case of slightly descending or horizontal pipe runs, upstream and downstream of control valves, as well as downstream of pumps.

For detailed planning specifications for new construction and retrofitting, please refer to the technical information for planners regarding air valves and air valve sets, as well as the current DVGW sheet W 334.

The AV and/or AVS has to be installed on a vertical outlet directly on the pressure pipe. The need for an air release dome as specified in DVGW sheet W 334 has to be checked. A laterally displaced arrangement of air valves / air valve sets must be avoided.

Installation shall be performed in unpressurized condition.

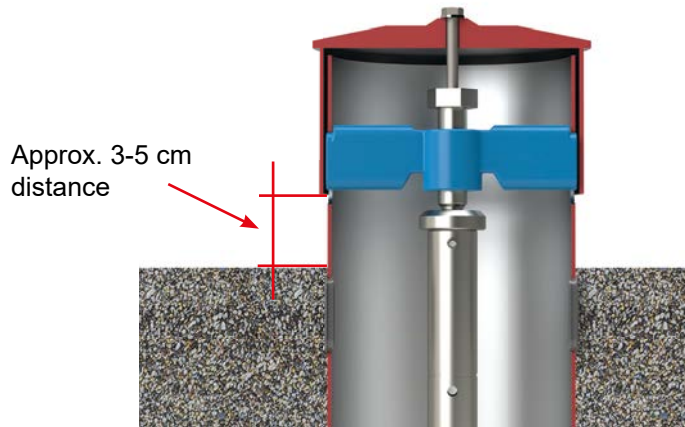
For installing the AVS on the pipeline, the respective DVGW provisions for establishing a flanged connection and/or the BAIO installation instructions shall be observed.

If there is a risk of frost, the AVS must be provided on site with frost-proof insulation (see also item 5.4).

2.2 Seeping water drain packing

To prevent surface water from running in, the standpipe must be surrounded with permeable backfilling (grain size > 5 mm).

Maximum filling height see image.



We recommend installing a drainage element Ord. No. 992-03, or alternatively a seepage hose Ord. No. 992-04 in connection with permeable backfilling.

2.3 Drainage element Ord. No. 992-03

The drainage element for AVSs serves the purpose of receiving and slowly draining off the splash water accumulating inside the AVS (originating during air release) and the residual water accumulating on dismantling the valve. Additionally, a possible penetration of roots is prevented.

Use in:

- Normal soils
- Installation situations where no mud is expected to be washed into the housing (no groundwater).

Assembly:

1. Remove the hood (10) from the AVS. To this end, loosen hexagon head screw M8 (8) and washer (9).
2. Put the drainage element (stop ring on top) over the shaft pipe (7) from above and push it downward as far as it will go.
3. Reinstall the hood (10) with hexagon head screw M8 (8) and washer (9).
4. Surround the drainage element with permeable backfilling.

2.4 Seepage hose Ord. No. 992-04

The seepage hose for AVSs serves the purpose of receiving and slowly draining off the splash water accumulating inside the AVS (originating during air release) and the residual water accumulating on dismantling the valve. Additionally, a possible penetration of roots is prevented.

The seepage hose consists of a flexible drainage pipe d 50 mm wrapped in filter fleece. Via the big surface area, the accumulated splash water / residual water is released evenly.

The filter fleece reduces the penetration of fine soil material into the interior of the AVS via the seepage hose.

Use in:

- "Fine-textured" soils
- Installation situations where mud is expected to be washed into the body (groundwater).

Assembly:

See operating instructions "Seepage Hose for Air Valve Set".

2.5 Drainage hose PE d20

If the drainage element Ord. No. 992-03 or seepage hose Ord. No. 992-04 is not used, the supplied drainage hose PE d20 can be used for draining off the accumulating splash water into an additional seeping water drain packing. To this end, push the hose into the drain-off fitting (2) as far as it will go. For installation, moisten the pipe end with water.

2.6 Shortening



Socket wrench A/F 13, A/F 30, fitting grease, e.g. Art. No. 600 000 0015
Angle grinder with cutting disc for stainless steel, pin punch

Prior to installation, the AVS can be shortened on site by 100 mm to adapt it to changed height conditions.

! **Important:** In case of the version with pipe cover depth 1.0 m with special function “Air release only” or “Air intake only”, shortening is not possible!

Sequence:

1. Take off the hood (10). To this end, loosen hexagon head screw M8 (8) and washer (9).
2. Loosen the centring screw (11) and take out the clamping yoke / spindle holder (12).
3. Take out the whole replacement set and put it aside protected from dirt.

4. Shortening the shaft pipe: (see Figure 1)

Put the hood (10) loosely onto the shaft pipe. Mark a line for shortening along the lower hood edge (corresponding to max. shortening by 100 mm). Shorten the shaft pipe using an angle grinder and cutting disc for stainless steel. Deburr the cut surface.



Figure 1

5. Shortening the replacement (see Figure 2)::

Dismantle the centring cap (6.20) from the operating tube (6.18). To this end, remove the roll pin (6.19) by means of the pin punch. Shorten the operating tube at the specified marking (see figure) using an angle grinder and cutting disc for stainless steel. Deburr the cut surface.



Figure 2

6. Reinstall the centring cap (6.20) and roll pin (6.19) on the shortened operating tube.
7. Reinsert the replacement set through the shaft pipe (7) into the sealing flange (3). To this end, press the replacement set into the sealing flange (3) applying manual force until you feel high resistance.
8. Subsequently, insert the clamping yoke / spindle holder (12) into the shaft pipe (7), and brace the replacement set again by turning in the centring screw (11) 2-3 revolutions.
9. Reinstall the hood (10) with the hexagon head screw (8) and washer (9).

! **Important:** If a flushing and water tapping set Ord.No.992-05 und 992-06 is used for a shortened AVS, the extended clamping yoke Ord. No. 992-07 is needed (Figure 3).




Figure 3

3. Commissioning and pressure testing

	Socket wrench A/F 13, A/F 30
---	------------------------------

3.1 Commissioning

For commissioning, the unpressurized line shall be filled and pressurized.

 **Important:** Acc. to DVGW W334, the maximum filling rate must be limited to 0.25 m/s to avoid pressure surges.

Note: During start-up ventilation, a minor quantity of splash water is blown off via the valve.

Prior to commissioning, we recommend flushing to remove possible dirt accumulations at the high point of the pipeline (right column).


Alternatively, commissioning can be performed without flushing (left column).

Commissioning with automatic venting Important: Malfunction caused by dirt ingress is possible!	Commissioning with flushing and water tapping set
1. Take off the hood (10). To this end, loosen hexagon head screw M8 (8) and washer (9).	1. Take off the hood (10). To this end, loosen hexagon head screw M8 (8) and washer (9).
	2. Loosen the centring screw (11) and take out the clamping yoke / spindle holder (12).
	3. Take out the whole replacement set (6) and put it aside protected from dirt.
	4. Install the flushing and water tapping set Ord. No. 992-05, 992-06. See operating instr. "Flushing and Water Tapping Set".
	5. Fix it by means of the clamping yoke / spindle holder (12) and centring screw (11).
	6. Slowly open the ball valve at the flushing and water tapping set.
2. Fill the pipeline (filling rate acc. to DVGW W334, see above).	7. Fill the pipeline (filling rate acc. to DVGW W334, see above).
3. Air and/or air/water mixture escapes. Dirt possibly present in the line accumulates in the AV. Consequence: AV does not close any more. Perform maintenance as described in item 4.	8. Air and/or air/water mixture escapes together with any possible dirt. Continue flushing until only clear water escapes.
4. After filling is finished, the AV closes automatically.	9. Close the ball valve at the flushing and water tapping set very slowly (danger of water hammers).
5. To be able to perform the subsequent pressure test described in item 3.2, the following sequence must be observed:	10. Perform pressure test described in item 3.2.
6. Loosen the centring screw (11) until the clamping yoke / spindle holder (12) is loosened. Consequently, the complete replacement set is also loosened as well as unpressurized, since the sealing tappet (4) closes automatically.	
7. Perform pressure test described in item 3.2.	


3.2 Pressure testing

3.2.1 Pressure testing of the pipeline

The pressure test of the pipeline with the installed AVS in the open trench shall be performed considering the maximum operating pressures as specified in the DVGW regulations.

 **IMPORTANT:** The pressure test must be carried out with the replacement set put out of service and/or the flushing and water tapping set installed!

After the successful pressure test, repressurize the replacement set previously put out of service by turning in the centring screw (8) until a distinctive momentary “venting splash” appears. Then turn in the centring screw (11) by only approx. 1/2 additional turn! Reinstall the hood (10) with the hexagon head screw (8) and washer (9).


 **IMPORTANT:** If a permanent water splash instead of a momentary venting splash appears, maintenance acc to item 4 must be performed.

3.2.2 Pressure testing of the installed AV

After subjecting the pipeline to a pressure test acc. to item 3.2.1 or after successful maintenance, an additional pressure test of the AV considering the maximum operating pressures specified in the DVGW regulations has to be carried out.

Before pressure testing, any flushing and water tapping set used during commissioning must be removed, and the replacement set has to be reinstalled (see item 3.1 / 3. Commissioning with flushing and water tapping set).


4. Servicing and maintenance

	Allen key A/F 6, open-ended wrench A/F 6, socket wrench A/F 13, A/F 17, A/F 30 Flat-tip screwdriver blade width e.g. 3 mm, fitting grease e.g. Art. No. 600 000 0015 Cordless screwdriver, cleaning brush with extension rod Suction device for residual water
--	---

As specified in the DVGW regulations W400-3, AVSs must be maintained at least once a year. Depending on the composition of the water, it may be necessary to reduce the maintenance intervals. Regular inspection will increase the functional reliability of the AVSs.

For cleaning, we recommend using lukewarm water. Before reinstallation, all components shall be disinfected by means of disinfectants approved for potable water applications observing the manufacturer's instructions.

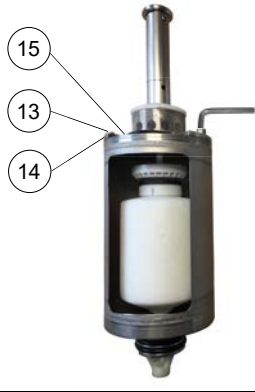


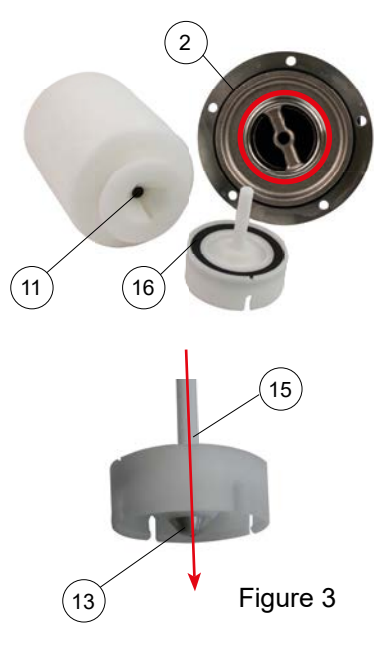
Foreign matter washed into the valve body (e.g. PE chips left over from drilling, wood, polystyrene, ...) as well as deposits in case of ferrous or manganiferous water qualities may impair the proper sealing function.


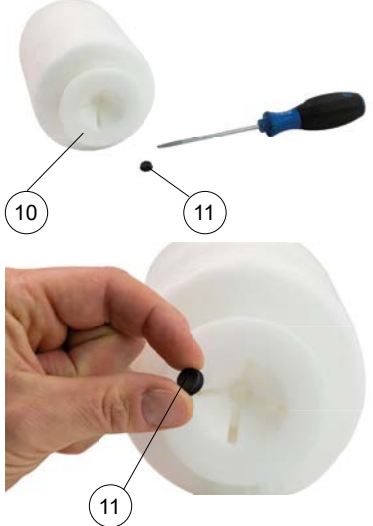
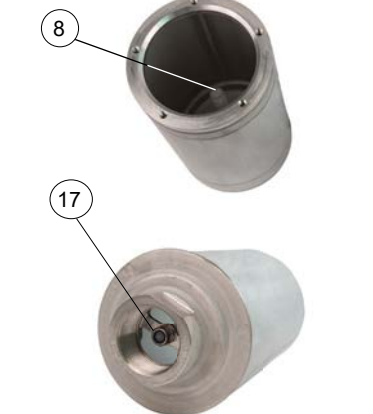

 **Important:** Before maintenance, AVSs shall be put out of service. Maintenance shall be performed in unpressurized condition.

Always take the complete replacement set out of the AVS housing for maintenance and service work.


Important: For the sequence of dismantling and reinstallation, observe the arrow direction!

1	Open the cover of the surface box.
2	Take off the hood (10). To this end, loosen hexagon head screw M8 (8) and washer (9).
3	Remove any residual water left inside the set by means of a suitable suction device.
4	Loosen the centring screw (11) and take out the clamping yoke / spindle holder (12).
5	Take out the entire replacement set.

Demontage		Wiedermontage		
6	Dismantle the housing upper part (15) by loosening the five hexagon socket screws (13) using an Allen key 6 mm.	19	Tighten the hexagon socket screws (13) with shim rings (14) clockwise and handtight on the block. Then proceed with item 20!	
7	Take off the housing upper part. Remove the float with integrated valve mechanism (function unit consisting of 9-16).	18	Insert the function unit (consisting of 9-16) into the housing (1), putting the function unit onto the guide rod (8). Put the housing upper part with O-ring (5+2) onto the housing (1). Take care to insert the nozzle screw (15) into the central bore of the housing upper part (5).	
8	Remove any foreign matter that may be present. Pull the valve basket (12) off the float (9) (snap coupling).	17	Snap the valve basket (12) onto the float (9) (snap coupling).	
<p>If required, clean the following parts with lukewarm water:</p> <ul style="list-style-type: none"> • Housing parts • Gasket (11) • Nozzle (13) • Flat gasket of valve basket (16) • Cover bead (red marking) <p>Check free passage of the nozzle (13) and nozzle screw (15) and clean them if required (see arrow Figure 3). Check the flat gasket (16), gasket (11), and O-ring (2) for wear and/or damage. If required, replace the sealing elements (for dismantling, see items 9-13). Otherwise proceed with item 17!</p>		Grease the O-ring (2) with suitable lubricant.		 <p style="text-align: right;">Figure 3</p>

9	Lever the flat gasket (16) out of the valve basket (12) using a flat-tip screwdriver.	16	Press the tapered flat gasket (16) into the valve basket (12). Due to the tapered form, some more force will be needed for pressing in. Make sure not to damage the flat gasket.	
10	Lever the (small) gasket (11) out of the gasket seat (10) using a flat-tip screwdriver.	15	Reinsert the gasket (11) with the wide collar pointing downward.	
11	If the guide rod (8) is broken, it can be replaced. To this end, take out the tripod (turning it counterclockwise). Subsequently, loosen nut M10 (17) using socket wrench A/F 17 and take out the defective guide rod (8).	14	Reinsert a new guide rod (8) and tighten nut M10 (10) by turning it clockwise to the block using low manual force. Reinstall the tripod, again using a redetachable tread-locker.	
12	Figure of float with integrated valve mechanism (individual components)			
13	Reassemble the valve in reverse order (see blue instructions items 12-17).			



20	Clean both O-rings 60x6 (6.14) or replace the O-rings if required. Subsequently apply fitting grease.
21	Before reinstalling the replacement set, we recommend cleaning the sealing flange (3) - see red marking - using the cleaning brush for AVS Art. No. 992 200 1200 with extension rod 1500 mm Art. No. 992 200 1215..
	
22	Subsequently, we recommend flushing by means of the flushing and water tapping set Ord. No. 992-05, 992-06. See operating instr. "Flushing and Water Tapping Set".
23	After successful maintenance, reinsert the replacement set through the shaft pipe (7) into the sealing flange (3). To this end, press the replacement set into the sealing flange (3) applying manual force until you feel high resistance. Subsequently, insert the clamping yoke / spindle holder (12) into the shaft pipe (7) and repressurize the replacement set by turning in the centring screw (8) until a distinctive momentary "venting splash" appears. Then turn in the centring screw (11) by only approx. 1/2 additional turn! Reinstall the hood (10) with hexagon head screw M8 (8) and washer (9).
24	After maintenance, a visual inspection for leak tightness and function must be performed. Important: If the valve does not seal reliably and tightly, maintenance must be repeated. Commissioning and pressure testing see item 3.
25	Close the cover of the surface box.

4.1 Spare parts

		
<p>ⓘ O-ring 60x4 Art.No. 992 299 0023 O-ring 116x4 Art.No. 992 299 0033 Ord.No. 009E01</p>	<p>ⓘ Function unit PN25 Art.No. 987 800 0026 Ord.No. 987 E00</p>	<p>ⓘ Replacement set HaVent® AVS Ord. No. 992E00</p>
		
<p>ⓘ Centring screw with ball (operating screw) for AVS HaVent® 992-00, 992-01 Ord. No. 992E02</p>	<p>ⓘ Spare part: clamping yoke (spindle holder) for AVS 992-00 and 992-01 Ord.No. 992E06</p>	

Other spare parts on request.

5. Special functions

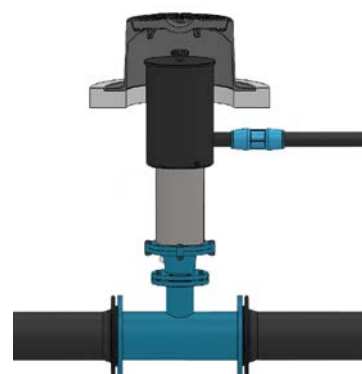
Item	Ord.No./ Art.No.		Ex factory	For retrofitting on site
5.1	992 000 1010 (992-08)	Installation in flood water areas / flood protection	X	
5.2	992 500 1000 - 992 500 1003	Version for groundwater installation	X	
5.3	992 500 0900 - 992 500 0903	Air release only / air intake only	X	
5.4	992 200 1050	Anti-frost disc	X	X
5.5	992 200 1010	Insect and snail protection	X	X
5.6	992 200 1100	Screw lock	X	X

Maintenance of AVSs with special function is carried out the same way as described for the standard version (see item 4).

5.1 Special function - installation in flood water areas / flood protection

If the air valve set is installed in areas susceptible to flooding, the special flood protection function can prevent dirty water from flowing back into the air valve and subsequently into the potable water system.

See operating instr. "Flood Protection for Air Valve Set".



5.2 Special function - installation in groundwater



Air intake and release holes positioned at the top

Product identification
AVS (outside):

**Grundwasser-
ausführung**

Product identification
AV (inside):

HaVent

Nennweite / Size
BEG
GRUNDWASSER

Druckstufe:
max. pressure:

PN 25
360 psi

Gehäuse/Body:
Edelstahl
stainless steel

European standard:
EN1074-4
DVGW-W

Herstelljahr:
Year of manufacture:
xxx

Seriennummer:
Serial No.:

Made in Germany

The special groundwater version is used to prevent dirty water from getting into the AVS in case of rising water.

In this case, the standard drain hole in the base has been sealed at the factory.

Splash water (caused by venting strokes), condensation water, or high groundwater accumulating inside the set shall be controlled and sucked off from the set if required, e.g. by means of a hand pump and suction hose, since it will not be able to drain off via the sealed drain hole.



Important:

Any splash or condensation water not evacuated may be sucked into the pipeline in case of underpressure conditions. As a result, there is a risk of ingress of dirt or germs!

The standard pipe cover depth is used. The air intake and release holes positioned at the top ensure normal air intake and release in spite of a high groundwater level.

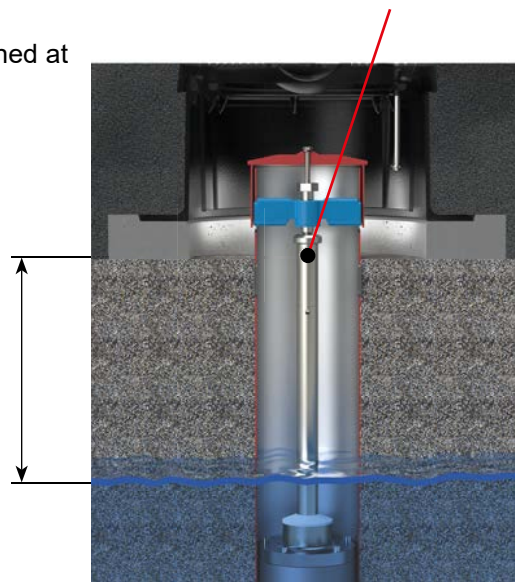
If the groundwater rises above the air intake and release holes positioned at the top, the function of the AVS is no longer ensured.



Important: Risk of ingress of dirty water!

Air intake and release holes placed on top

Max. groundwater level to be expected



5.3 Special function - air intake only or air release only Art. No. 992 500 0900 - 992 500 0903



Product identification:

Nur Entlüftung!

Nur Belüftung!

Special function "Air intake only" ("Nur Belüftung")

E.g. to avoid a vacuum when the air release function is inhibited.

Special function "Air release only" ("Nur Entlüftung")

E.g. upstream of medium-controlled control valves. No dirt can be sucked in.

Additionally, the special function "Air intake only" and/or "Air release only" can be supplemented by the special flood protection function described in item 5.1.

5.4 Special function - anti-frost disc Art. No. 992 200 1050

1.	Figure of anti-frost disc.	
2.	Dismantle the operating tube (6.18) manually by turning it counterclockwise. Hold the white outlet nipple (6.19) in place by hand.	
3.	Slip the anti-frost disc onto the dismantled operating tube.	

4. Reinstall the operating tube with the anti-frost disc by turning it clockwise and hand-tighten it. No sealing required.



Important: In case of AVSs with pipe cover depth 1.0 and special function “Air intake only” or “Air release only”, the anti-frost disc **cannot** be installed!

5.5 Special function - special insect and snail protection Art. No. 992 200 1010

The standard hood can easily be replaced by a special version with insect and snail protection.

An integrated screen and gasket prevent insects and snails from getting in.

For later conversion see operating instr. “Cover Modified for Air Valve Set”.

5.6 Special function - screw lock Art. No. 992 200 1100

By means of the special screw lock function, an unauthorized opening of the set by removing the hood can be prevented.

The screw lock consists of a cover disc and locking screw M8 with special inside contour. For loosening the special screw, operating key Art. No. 992 200 1110 is needed.



If you have any other questions or if you need more information please contact:

Hawle Armaturen GmbH
- Application Engineering -
Liegnitzer Str. 6

D - 83395 Freilassing

Phone: +49 (0)8654 6303-0

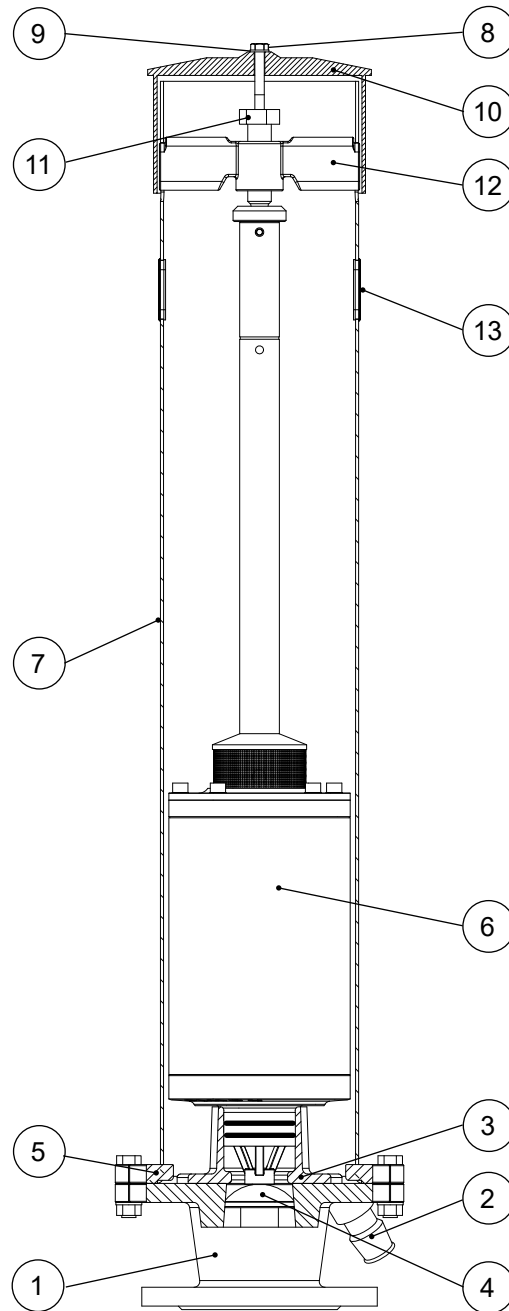
Telefax: +49 (0)8654 6303-222

E-Mail: info@hawle.de Web: www.hawle.de

11/2021

Air valve set HaVent® for potable water PN 25

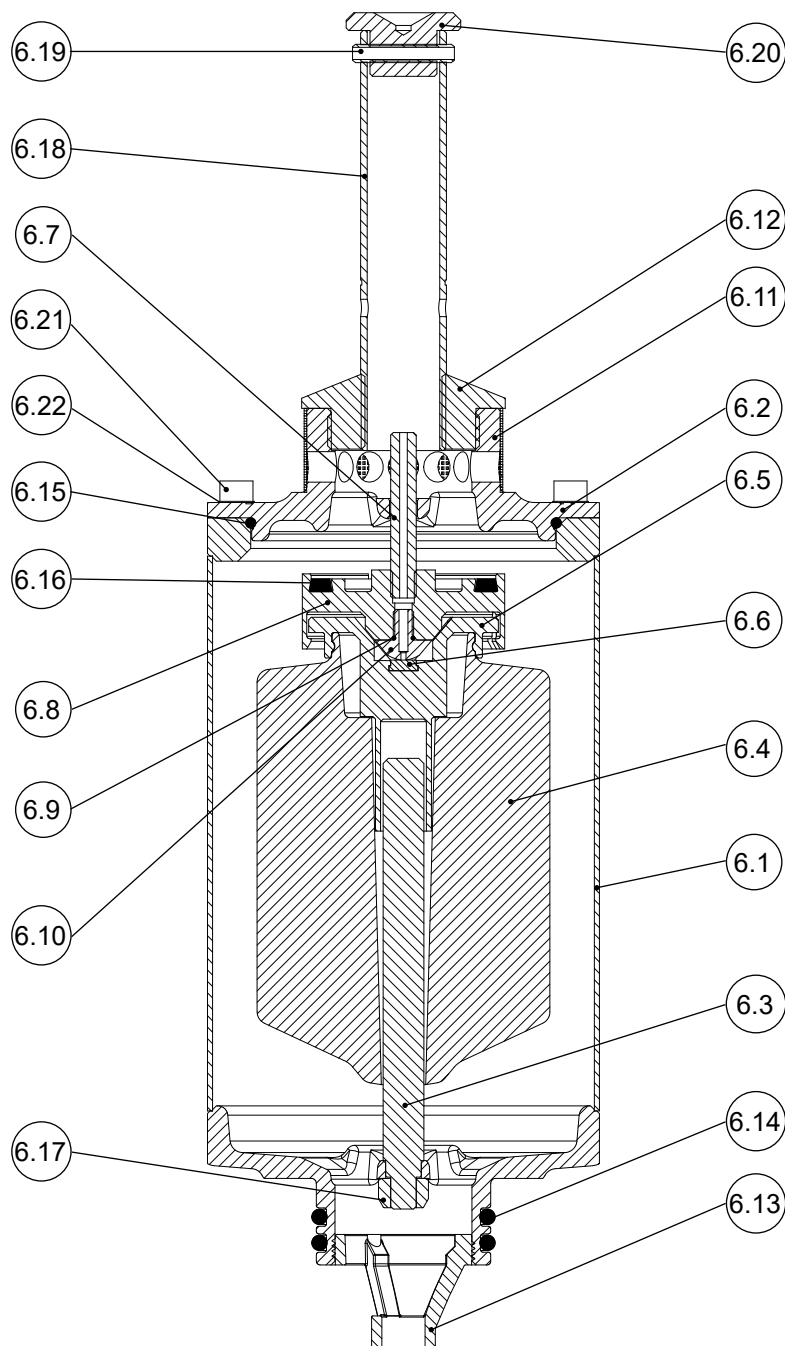
Parts list



No	Qty.	Short description	Material	No	Qty.	Short description	Material
1	1	Base	GJS-400 Hawle epoxy powder-coated	7	1	Shaft pipe	Stainless steel
2	1	Drain-off fitting	GJS-400 Hawle epoxy powder-coated	8	1	Hexagon head screw M8x60	Stainless steel
3	1	Sealing flange	Brass	9	1	Washer M8	Stainless steel
4	1	Sealing tappet	POM	10	1	Hood	PE
5	1	Lock ring	GJS-400 Hawle epoxy powder-coated	11	1	Centring screw with ball	Stainless steel
6	1	Replacement set, see separate parts list		12	1	Clamping yoke / spindle holder	GJS-400 Hawle epoxy powder-coated
				13	2	AVS rubber plug	EPDM

Replacement set HaVent® for potable water PN 25 for air valve set

Parts list



No	Qty.	Short description	Material
6.1	1	Housing	Stainless steel
6.2	1	Housing upper part	Stainless steel
6.3	1	Guide rod PN25	Stainless steel
6.4	1	Float	PP
6.5	1	Gasket seat	POM
6.6	1	Small gasket	EPDM
6.7	1	Nozzle screw	POM
6.8	1	Valve basket PN25	POM
6.9	1	O-ring 6x1.5	EPDM
6.10	1	Nozzle PN25	Stainless steel
6.11	1	Mesh hose	Stainless steel
6.12	1	Outlet nipple	POM
6.13	1	Tripod	PA
6.14	2	O-ring 60x6	EPDM
6.15	1	O-ring 145x4	EPDM
6.16	1	Flat gasket	EPDM
6.17	1	Nut M10	Stainless steel
6.18	1	Operating tube	Stainless steel
6.19	1	Roll pin	Stainless steel
6.20	1	Centring cap	Stainless steel
6.21	5	Allen screw M8x16	Stainless steel
6.22	5	Shim ring	Stainless steel