

**1. Intended use / product description**



**Material:**

conduit, welding flange, pressure flange, friction washer, screw ring: polypropylene (PP)

Sealings: EPDM

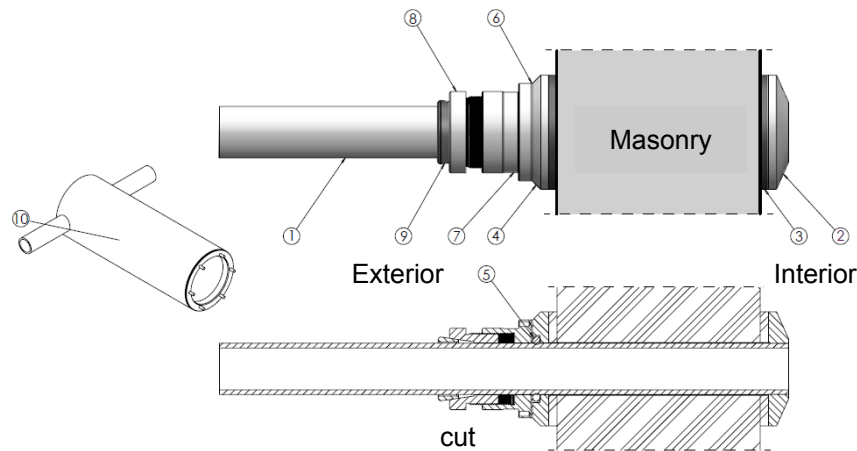
Heat shrink tube: polyolefin (PO)

grip ring: PVC

This entry fitting serves as a wall bushing system to lead cables (Ø 24 - 45 mm) from building outsides to insides through concrete walls up to a thickness of 400 mm.

Other than entry fittings for installation with cement grouting this system does not require any grouting between the quick installation entry fitting and the wall (core hole).

When laying, installing and during maintenance, it is necessary to refer to and comply with applicable standards and regulations, accident prevention regulations and regulations from trade associations. Installation, assembly and maintenance should only be carried out by qualified personnel.



| Pos-No. | quantity | description                               |
|---------|----------|-------------------------------------------|
| 1       | 1        | PP pipe                                   |
| 2       | 1        | Welding flange                            |
| 3       | 2        | Sealing                                   |
| 4       | 1        | Pressure flange                           |
| 5       | 1        | O-Ring                                    |
| 6       | 1        | Friction washer                           |
| 7       | 1        | Screw ring thrust piece                   |
| 8       | 1        | Screw ring inner cone                     |
| 9       | 1        | Grip ring                                 |
| 10*     | 1        | Tool *(not included in scope of delivery) |

## 2. Assembly



Tapping drill hole equipment, assembling tool (10)

1. A core hole with a diameter of 65 - 70 mm is to be made.  
Broken out areas in the masonry which are not covered by the sealing ring (3) must be repaired.
2. Remove pre-assembled clamping elements (position 4 - 9) from the pipe entry connection  
**Caution:** Spread the grip ring (9) slightly for this procedure!
3. Insert the pipe entry connection from the inside of the building.  
**Caution:** The flange must be in full contact with the wall of the building!
4. From the outside of the building, first push the pressure flange (4) then the O-ring (5) onto the PP pipe (1) and insert the O-ring into the groove.
5. Push on the friction washer (6).
6. Slide onto the PP pipe (1).
7. Push the grip ring (9) into the seat of the screw ring with inner cone (8) as far as it will go.  
Caution: Spread the grip ring (9) slightly for this procedure
8. Tighten the pipe entry connection with manual force by turning the screw ring thrust piece (7) clockwise.  
Caution: Before this procedure, make sure that the screw ring thrust piece (7) and the screw ring with inner cone (8) are completely screwed together
9. Let the assembly tool (10) (Order No. 684.000.0003) snap into the recesses provided on the screw ring thrust piece (7) and tighten by turning clockwise.  
Caution: Make sure that the seals (3) are pressed sufficiently (approx. 1/3 of the initial thickness).
10. After tightening, check the distance between the screw ring thrust piece (7) and the screw ring (8). This must not be more than 20 mm. If the distance between the two components is greater than 20 mm, the pressing must be stopped and the procedure repeated.
11. For the final cable installation, slide the shrink tube (EMSA 75/22 - 300 mm) from the outside of the building onto the PP pipe (1), insert the cable, bring the shrink tube into position and shrink it on (min. cable length 75/22 - 300 mm). Shrinking temperature: 120°C).  
Caution: Avoid prolonged exposure of PP pipe (1) and cable to high temperature

## 3. Service and maintenance

The cable pipe entry connection is maintenance-free.

## 4. Commissioning and testing

After completion of the assembly work, the complete pipe entry connection must be checked once again. Particular attention must be paid to the tension-free connection of the protection pipe and the tight fit of the flanges. The seals must lie flat all around so that the masonry remains water- and gastight.

**Should you have questions or need further information, please contact:**

Hawle Armaturen GmbH  
- Application Engineering -  
Liegnitzer Str. 6  
83395 Freilassing  
Telephone: +49 8654 6303-0  
Fax: +49 8654 6303-222  
Email: [info@hawle.de](mailto:info@hawle.de)  
Website: [www.hawle.de](http://www.hawle.de)