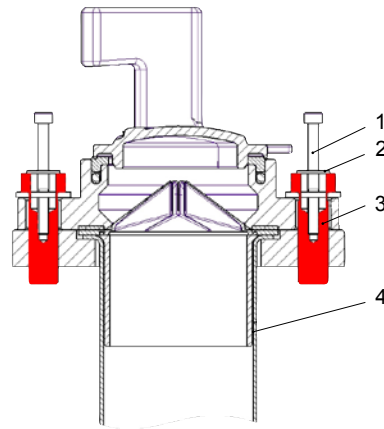




1. Intended Use / Product Description



Key:

- 1: Locking screw
- 2: Washer
- 3: Predetermined breaking bolt
- 4: Support liner

Medium: Potable water
Maximum operating pressure: 16 bar
Material: Stainless steel

The predetermined breaking point shall be used exclusively for installation in Hawle underground hydrants of types 490-00, 490-01 and 494-00.

The predetermined breaking point set consisting of support liner and breaking bolts with washers and screws (factory preinstalled) ensures that the hydrant is not damaged when the installed standpipe is run down accidentally.

The set can be retrofitted into existing Hawle underground hydrants.

Replacement screws on request.

During laying, installation and maintenance operations, the valid standards and guidelines, accident prevention regulations and the regulations of professional associations are to be observed and complied with.

Laying, installation and maintenance work should only be carried out by qualified personnel.

2. Installation



Spanner wrench SW24

- Move the hydrant to the closed position.
- Dismantle the claw coupling (screws are no longer required)
- Insert the support liner into the carrier pipe.
- Fit the claw coupling and connect using the two predetermined breaking bolts (bolting torque 30 Nm).

3. Maintenance

Hawle predetermined breaking points are maintenance free.

4. Commissioning / Pressure test

After successful installation, a pressure test must be carried out in an open pipe trench in accordance with DVGW. Following the pressure testing, a functional check must be carried out.

If you have any other questions or if you need more information please contact:

Hawle Armaturen GmbH - Application Engineering - Liegnitzer Str. 6 83395 Freilassing
Phone: +49 (0)8654 6303-0
Telefax: +49 (0)8654 6303-222
E-Mail: info@hawle.de
Web: www.hawle.de