



1. Intended use / Product description



Flanged socket (Standard and reducer)	Synoflex Transition piece to ZAK-System	Connector - Synoflex (Standard and reducer)	Connector - Synoflex/ System 2000	End Cap - Synoflex	Synoflex transition piece to BAIO® system (SM piece)
Ord.No. 740-00 Ord.No. 740-02	Ord.No. 740-01	Ord.No. 741-00 Ord.No. 741-02	Ord.No. 741-01	Ord.No. 742-00	Ord.No. 532-03



Cut-in socket fitting with BAIO® spigot end and Synoflex socket
Ord.No. 530-03

Medium: potable water / municipal sewage
Max. operating temperature: 0° - 40°
Max. operating pressure: 10 / 16 bar (see table)
Material: body: GJS-400, Hawle epoxy powder coating
gaskets: EPDM acc. to DVGW W 270, bolts/nuts: stainless steel
support element ring: POM, grip ring: steel
Standards applied: DIN 14525

Pipe fittings with Synoflex multirange socket for the connection of DCI, PE, PVC, steel, and AC pipes.
Restraint connection for pipes of DCI, PE, PVC, and steel.

- Bolt head antiturn locking device
- Angle compensation Synoflex socket up to ±4°
- Bolts reversible 180°

IMPORTANT: When connecting AC pipes, a restraint connection is not ensured (concrete abutment). However, the gripping elements need not be removed.
When PE pipes are connected, make sure to always use a Hawle support liner.

During installation and maintenance operations, the applicable standards and guidelines, accident prevention regulations and the regulations of professional associations are to be observed and complied with.
Installation and maintenance operations may be performed by qualified personnel only.

Accessoires: (see separate operating instructions)

<p>590-00 Support liner of stainless steel for PE pipes (for 740-00, 740-02, 741-00, 741-02, 741-01, 742-00, 532-03, 530-03)</p>	<p>590-02 Support liner of plastic for PE pipes (for 740-01)</p>	<p>590-01 Support liner of brass for PE pipes (for 740-01)</p>
<p>529-05 Twist lock device for BAIO® spigot end - socket connections (for 532-03 and 530-03)</p>		

2. Assembly

	Torque wrench
---	---------------

Flange connection:

For installing pipe fittings with flanged outlets in the pipeline, the respective DVGW or DWA provisions for establishing flanged connections shall be observed.

ZAK® connection:

For installing pipe fittings with ZAK outlets in the pipeline, the ZAK® operating instructions shall be observed.

SYSTEM 2000 connection:

For installing pipe fittings with System 2000 connections in the pipeline, the System 2000 operating instructions shall be observed.

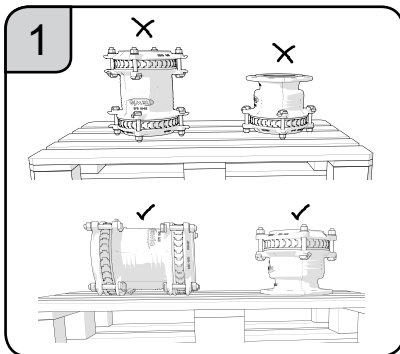
BAIO® connection:

For installing pipe fittings with BAIO outlets in the pipeline, the BAIO® installation instructions shall be observed.

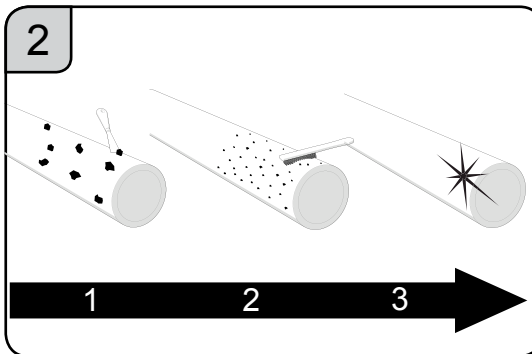
Threaded connection in general:

For installing pipe fittings with female thread in the pipeline, the respective DVGW or DWA provisions for establishing threaded connections shall be observed.

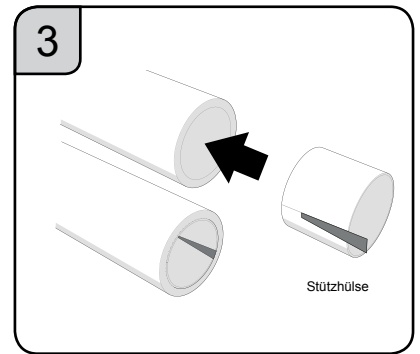
Synoflex-connection:



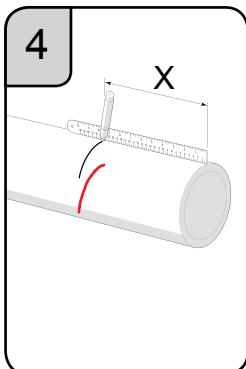
Please observe the storage instructions!



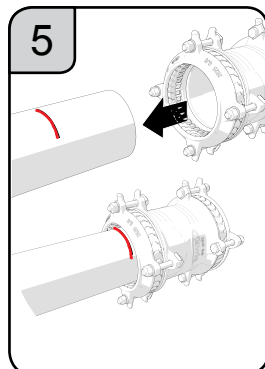
Before installation, clean the pipelines and remove dirt and foreign matter. The pipe surfaces must be smooth and clean, as well as free from grooves and corrosion.



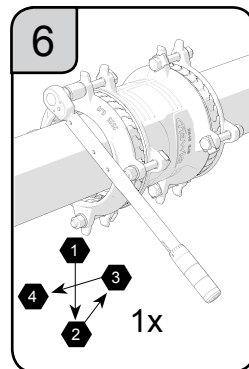
IMPORTANT: When PE pipes are connected, make sure to always use a Hawle support liner.



Mark the required insertion depth X on the pipe according to the table.



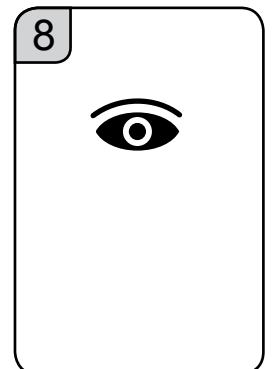
Push the pipe into the socket up to the max. insertion depth, but not as far as it will go.



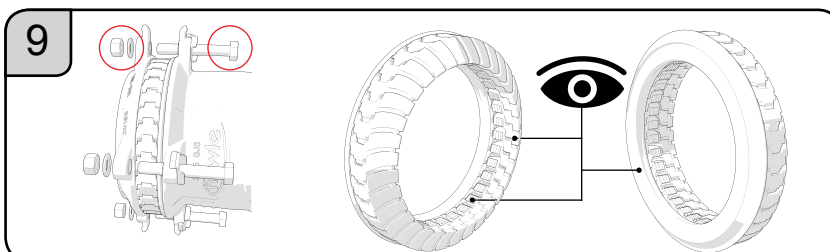
Bolts must not be lubricated. Tighten the bolts crosswise (see table) using a torque wrench.



Retighten bolts after 30 minutes and/or after pressure testing



Visual inspection for regular gap and even tightening of the bolts.

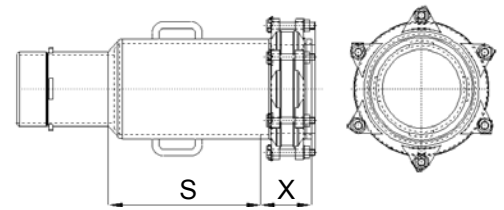


In general, Hawle Synoflex products can be re-used. In case of re-use, we recommend replacing the bolts and nuts.

After dismantling, check the Synoflex ring for damage. If damage to the ring, the gripping elements, or the gasket is detected, the complete Synoflex ring has to be exchanged.

DN	40	50	65	80	100	125	150	200	225	250	300	350	400
bar	16											10	
Pipe outer Ø min./max.	46 - 58	56 - 71	71 - 88	85 - 105	104 - 132	131 - 160	155 - 192	198 - 230	230 - 260	265 - 310	313 - 356	352 - 396	398 - 442
Pipe-insertion X													
min. [mm]	81	84	85	86	119	119	126	143	149	155	161	171	181
max. [mm]	86	91	97	103	136	136	143	161	161	167	180	190	200

Pipe-insertion X													
for Cut-in socket fitting with BAIO® spigot end a. Synoflex socket Ord.No. 530-03													
[mm]									125	130	130		
Sliding range S													
for Cut-in socket fitting with BAIO® spigot end a. Synoflex socket Ord.No. 530-03													
min. [mm]									425	430	470		
max. [mm]									440	450	495		

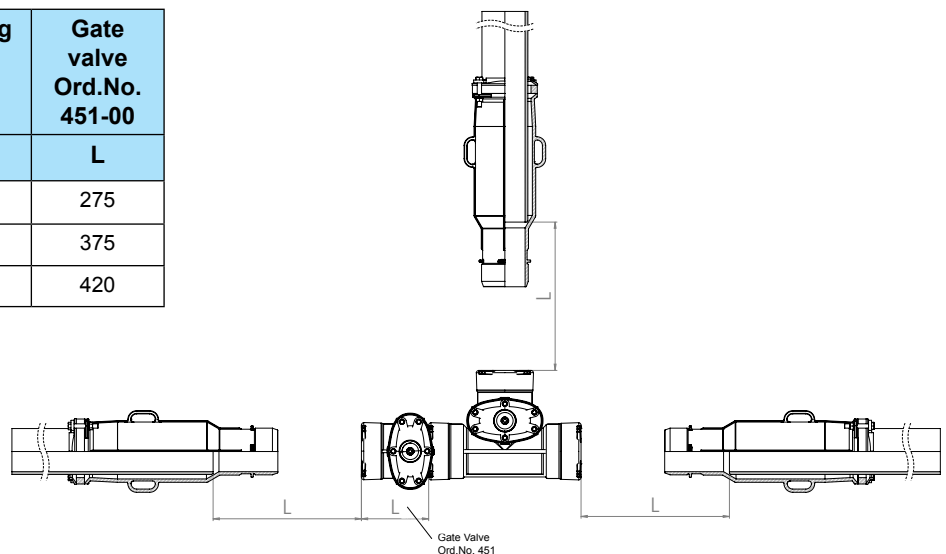


Bolts	M12	M12	M12	M12	M16	M16	M16	M16	M20	M20	M20	M20	M20
[mm]	19	19	19	19	24	24	24	24	30	30	30	30	30
Torque [Nm]													
DCI Steel-pipe	50	70	70	70	90	90	110	110	130	130	130	140	140
PE/PVC AZ-pipe	40	60	60	60	70	70	80	80	110	110	110	120	120

2.1 Cut-in socket fitting with BAIO® spigot end and Synoflex socket Ord.No. 530-03

Subsequent integration of the BAIO® system into an existing pipeline/rehabilitation of gate valve crossings with Cut-in socket fitting with BAIO® spigot end and Synoflex socket

DN	Cut-in socket fitting		Gate valve Ord.No. 451-00
	L _{min}	L _{max}	L
200/225	330	560	275
250	325	520	375
300	325	540	420



3. Commissioning and pressure-testing

After the successful installation, the device has to be subjected to pressure testing in the open trench considering the maximum operating pressures as specified in the DVGW regulations.

4 Maintenance

Synoflex pipe fittings with multirange sockets do not need any maintenance.

4.1 Spare Parts



If you have any other questions or if you need more information please contact:

Hawle Armaturen GmbH

Application Engineering

Liegnitzer Str. 6

83395 Freilassing

Phone: +49 8654 6303-0

Telefax: +49 8654 6303-222

E-Mail: info@hawle.de

Web: www.hawle.de