

1. Intended use / Product description



ZAK® PE fusion end



Elbow 90° with ZAK® spigot end and PE fusion end

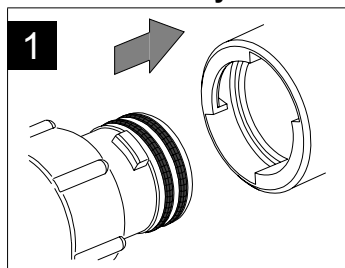
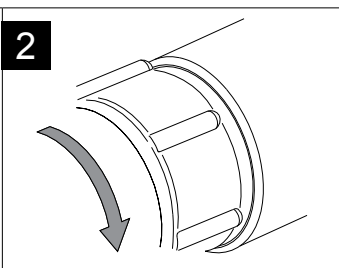
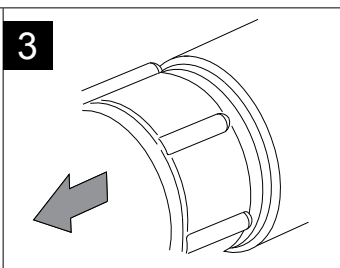
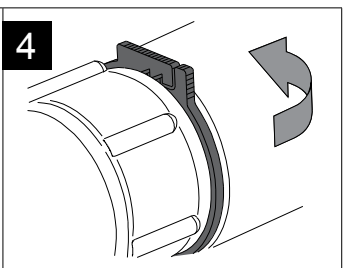
Medium: Potable Water / Municipal Sewage / Gas
Max. Betriebsdruck: Potable Water / Municipal Sewage: 16 bar / Gas: 10 bar
Material: Housing: GJS-400, Hawle epoxy powder coated
 Outlet: PE100
 Gasket: EPDM (Potable Water), NBR (Gas and Municipal Sewage)

ZAK-PE end straight and elbow 90° as transition from Hawle ZAK® system to PE pipelines. For underground pipeline construction and in distribution systems both in drinking water and gas supply and in wastewater disposal. No application in installation. Can be used for PE pipes (DIN 8074/EN 12201). On the one hand with ZAK® spigot end for positive connection of fittings and fittings with ZAK® socket, on the other hand with PE end (SDR 11) made of PE 100 according to DIN 8074/EN 12201.

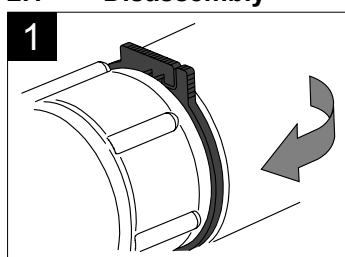
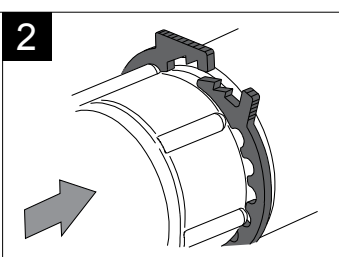
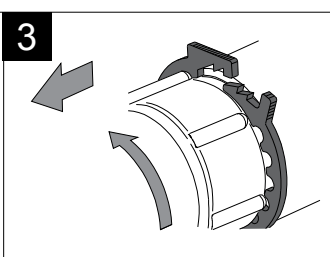
During installation and maintenance operations, the applicable standards and guidelines, accident prevention regulations and the regulations of professional associations are to be observed and complied with.

Installation and maintenance operations may be performed by qualified personnel only.

2. Assembly

			
<p>Apply approved lubricant to the O-rings of the spigot end and slide the ZAK® spigot end into the ZAK® socket as far as it will go.</p>	<p>Turn the ZAK® connection fitting 90° clockwise as far as it will go.</p>	<p>Pull back ZAK® connection fitting approx. 4 mm as far as it will go.</p>	<p>Slide the fixing ring into the gap and engage the interlocking by pressing it together. (The fixing ring can be pulled on so far that it can also be inserted later)</p>

2.1 Disassembly

		
<p>Open the interlocking of the fixing ring. Expand the fixing ring and pull it back.</p>	<p>Insert ZAK® connection fitting as far as it will go.</p>	<p>Turn the ZAK® connection fitting 90° counter-clockwise as far as it will go and pull it out of the ZAK® connection sleeve. After dismantling, check O-rings and replace if necessary.</p>

3. Maintenance and repair

Hawle Fittings are maintenance-free.

4. Commissioning/Pressure test

After successful installation, a pressure test must be carried out in an open pipe trench in accordance with DVGW regulations.

If you have any other questions or if you need more information please contact:

Hawle Armaturen GmbH
 - Application Engineering -
 Liegnitzer Str. 6
 83395 Freilassing
 09/2021

Phone: +49 8654 6303-0
 Telefax: +49 8654 6303-222
 E-Mail: info@hawle.de
 Web: www.hawle.de